

BSLWG

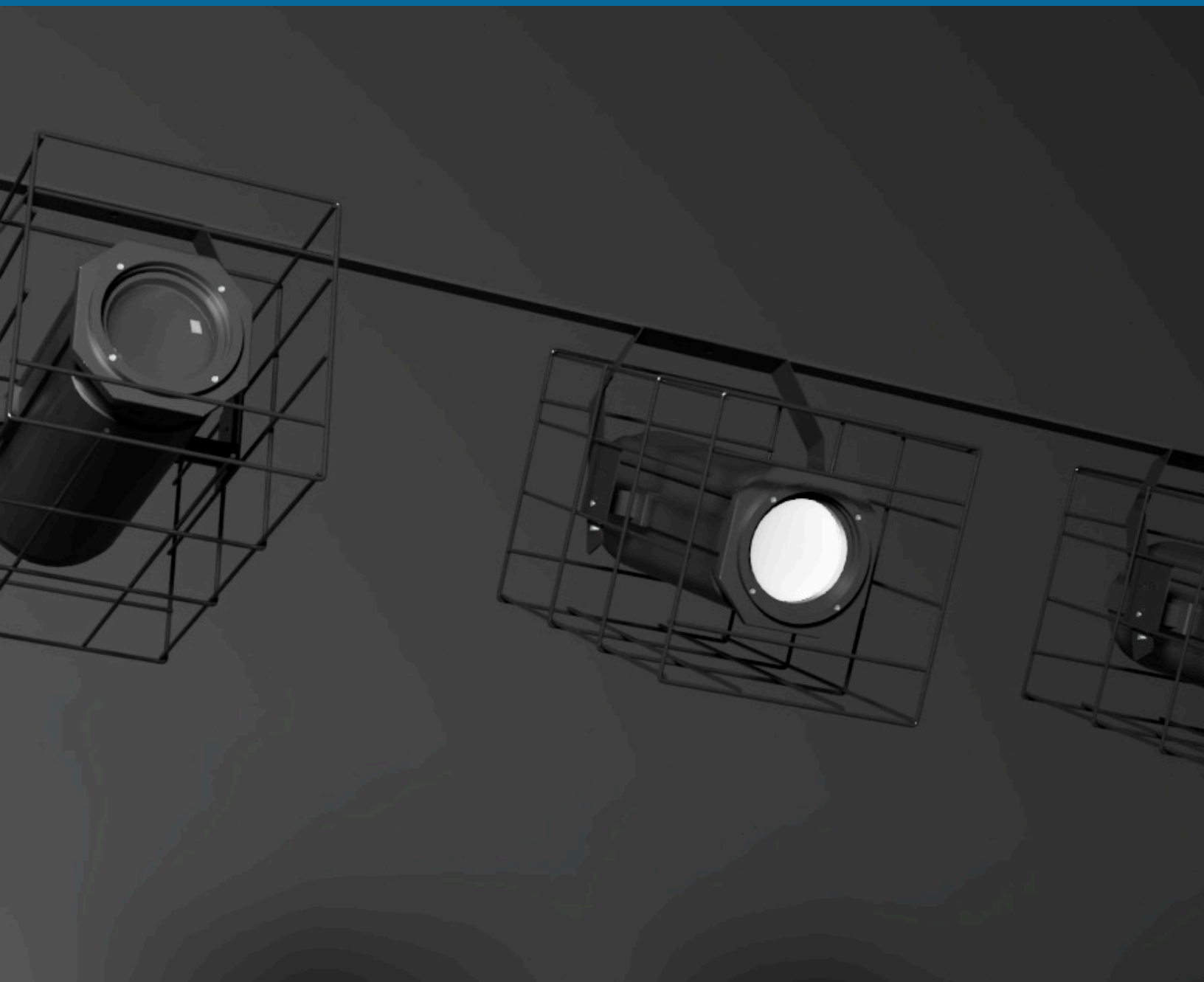
BSLWG - Theatrical Stage Light Wire Guard

Project

Date

Part

Type



About the BSLWG

The BSLWG is a 16x16x24" stage light wire guard, designed to protect stage lighting from damage.

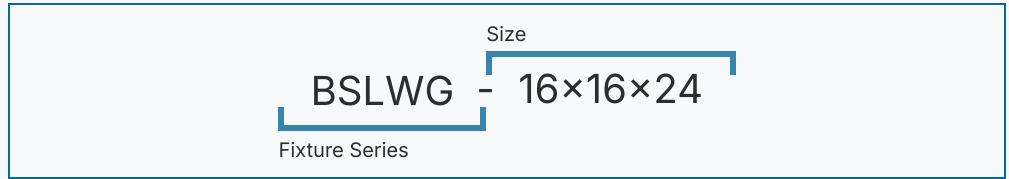
Specifications

Available Sizes	16x16x26" (*custom sizes available on request)
Paint	Matte black standard
Mounting	Can be hung from 1 1/2" schedule 40 steel pipe
Dimensions	26.25 x 15.25 x 15.25"

Applications

- Gymnasiums
- Auditoriums
- Stages
- Suitable for Strand Lighting and ETC ellipsoidal fixtures

Please use the diagram to the right as an example of a completed order code. If you need any assistance contact your local sales representative.



1	BSLWG	2	
<i>Series</i>		<i>Size</i>	
3	BSLWG		16x16x24
<i>Options</i>			

Finish

BLANK	Standard Matte Black
C2	Gloss White
CUSTOM*	Custom Colour Choice

Certifications and Listings

Certifications that apply to this fixture and its possible configurations are listed here. More information available upon request.

Icon	Description
------	-------------

Usage Applications

This fixture can be used in a variety of applications, and is ideal for the following:

Usage Application
Gymnasiums
Auditoriums
Stages
Suitable For Strand Lighting And Etc Ellipsoidal Fixtures

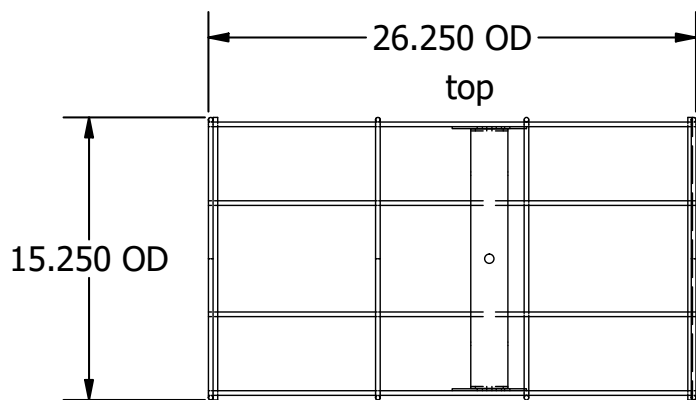
Warranty Statement

BJ Take products are tested and/or inspected prior to being packaged for shipment and are guaranteed from the day the product is shipped for a period of ten-year LED chip warranty and a five-year comprehensive component warranty. This can be upgraded to a ten-year comprehensive warranty on request.

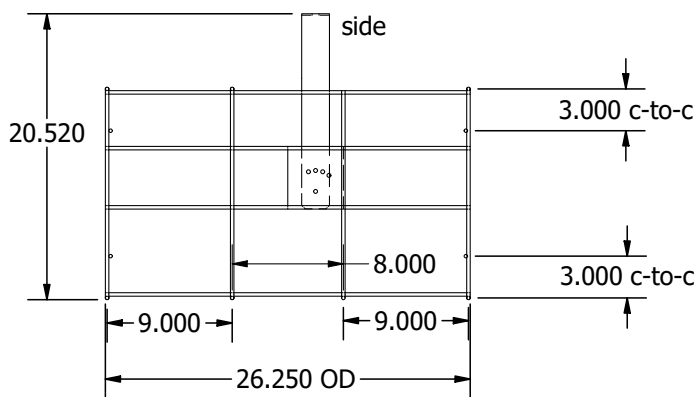
Dimension Information

Below you will find the dimensions for the BSLWG.

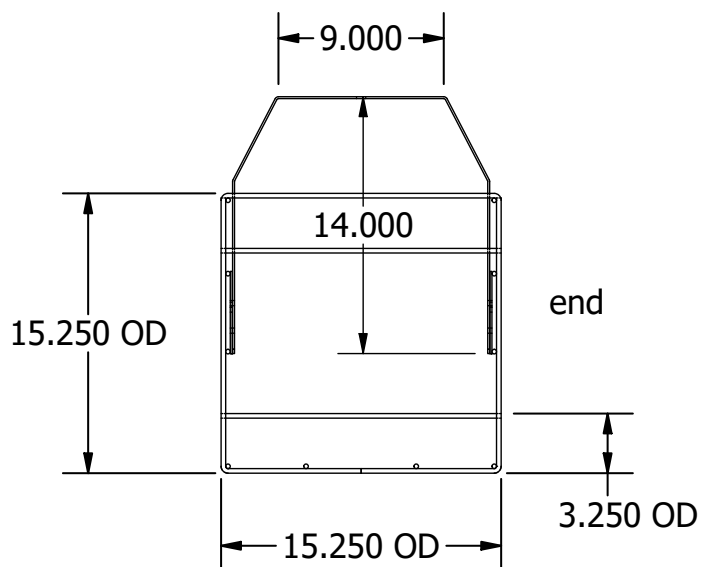
BSLWG 1' Side



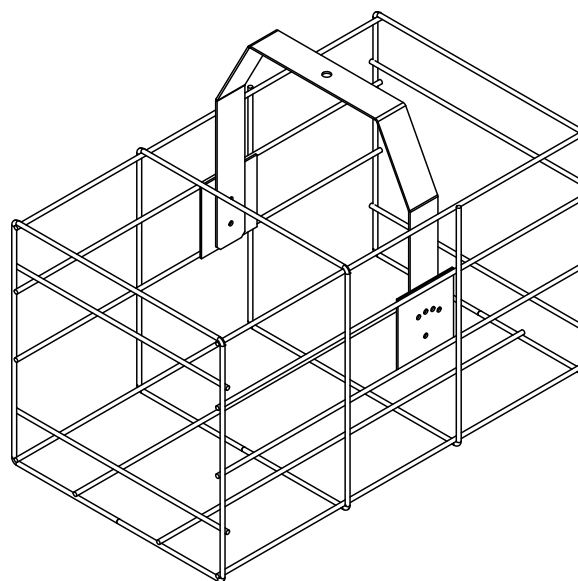
End Dimensions



BSLWG 1' Side



End Dimensions



* Drawings not to scale
* Standard tolerances apply
* Specifications may change without notice

Gallery Information

Below you will find images of relevant products and configurations for the BSLWG.

