



## About the LXB

The LXB Series is a lightweight, durable LED fixture designed and fabricated in North America for inflatable dome structures. Its polycarbonate/graphite housing, passive cooling, and IK10-rated impact-resistant lens deliver durability with minimal maintenance. With peak efficiency of 169.3 lm/W, the LXB ensures energy savings and long life in 40°C environments.

## Specifications

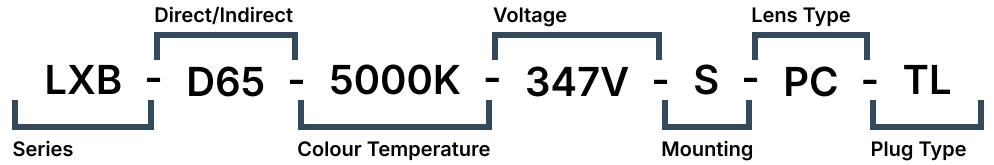
Supported Voltage	120V, 208V, 277V, 347V, 480V
Lifetime	L70 of 99,000+ hours, L90 of 30,000+ hours
Lumen Output	65,820 - 66,125
Efficacy	168.2 - 169.3 lm/W
Weight	31 lbs (direct/indirect)
CCT	5000K
CRI	84
Dimming	0-10V

## Approvals

- ETL Listed
- DLC Listed
- DLC Premium
- IK10 Rated
- Dry and Damp Environment Rated

## Ordering Information

Fill in the fields below with your product selections. If you need help with this section, contact your local sales professional.



1	2	3	4	5	6
LXB					

Series	Direct/Indirect	CCT	Voltage	Mounting	Lens Type
LXB	D65 Direct I65 Indirect	5000K	120V 208V 277V 347V 480V	S 2/0 Straight-Link Coil Chain P Pole mounted (indirect only)	PC Polycarbonate

7
---

## Options

### Power Cord

BLANK | 6FT White 16/3 (Standard)

### Plug Type




TL Twist-Lock  
QC Quick-Connect

### Controls

WC\*\* | Bluetooth Wireless Controls

## Certifications and Listings

Certifications that apply to this fixture and its possible configurations are listed here. More information available upon request.

Icon	Description
	IK10 Rated
	ETL Listed
	DLC Listed
	DLC Premium

## Usage Applications

This fixture can be used in a variety of applications, and is ideal for the following:

Usage Application
Sports Lighting
Inflatable Sports Domes
Community Sports Facilities
Indoor Sports Lighting
Recreational And Training Centers
Arenas

## Warranty Statement

Luxor Lighting products are tested and/or inspected prior to being packaged for shipment and are guaranteed from the day the product is shipped for a period of ten-year LED chip warranty and a five-year comprehensive component warranty.

## Electrical Characteristics

Type	Model Number	CCT	CRI	Input Power(w)	Input Voltage	Amperage
Direct	LXB-D65	5000K	84	393.1	120	3.277
Direct	LXB-D65	5000K	84	393.1	208	1.890
Direct	LXB-D65	5000K	84	393.1	277	1.419
Direct	LXB-D65	5000K	84	393.1	347	1.133
Direct	LXB-D65	5000K	84	393.1	480	0.819
Indirect	LXB-I65	5000K	84	388.8	120	3.240
Indirect	LXB-I65	5000K	84	388.8	208	1.869
Indirect	LXB-I65	5000K	84	388.8	277	1.404
Indirect	LXB-I65	5000K	84	388.8	347	1.120
Indirect	LXB-I65	5000K	84	388.8	480	0.810

## Power Characteristics

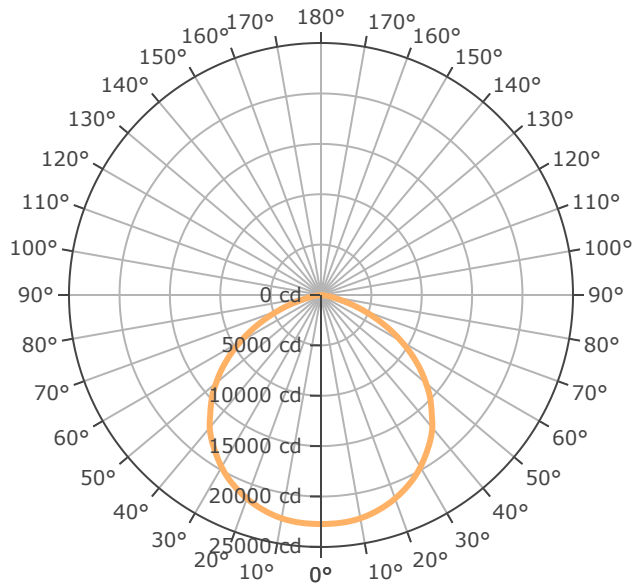
Type	Model Number	CCT	CRI	Input Power(w)	Lumens	Efficacy (lm/W)
Direct	LXB-D65	5000K	84	393.1	66125	168.17
Direct	LXB-D65	5000K	84	393.1	66125	168.17
Indirect	LXB-I65	5000K	84	388.8	65820	169.29
Indirect	LXB-I65	5000K	84	388.8	65820	169.29

\* Actual lumen output may vary

## Photometrics

Below are the photometric polar plots for the LXB-D65 (Direct) and LXB-I65 (Indirect).

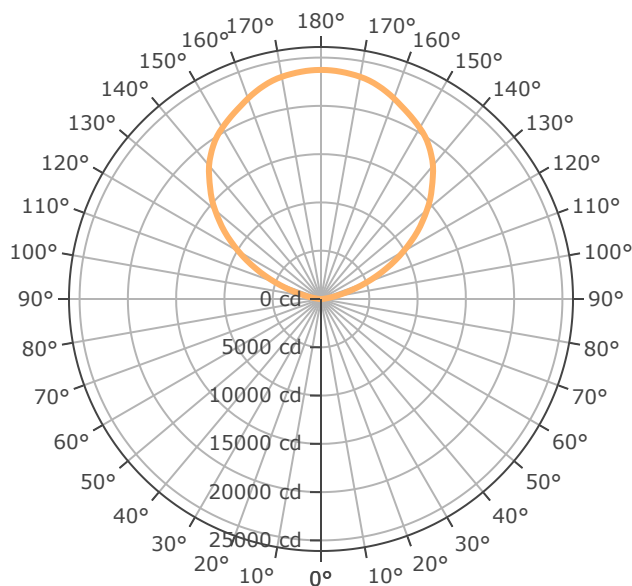
### LXB-D65-5000K



— 0.0°

Mtg Height	Light Level	Beam Diameter
6.0 ft	631.8 fc	17.3 ft
8.0 ft	355.4 fc	23.1 ft
10.0 ft	227.5 fc	28.9 ft
12.0 ft	158.0 fc	34.7 ft
14.0 ft	116.1 fc	40.5 ft
16.0 ft	88.9 fc	46.3 ft
24.0 ft	39.5 fc	69.4 ft
32.0 ft	22.2 fc	92.5 ft
40.0 ft	14.2 fc	115.6 ft
48.0 ft	9.9 fc	138.8 ft
56.0 ft	7.3 fc	161.9 ft
64.0 ft	5.6 fc	185.0 ft

### LXB-I65-5000K



— 0.0°

Mtg Height	Light Level	Beam Diameter
6.0 ft	659.1 fc	-17.6 ft
8.0 ft	370.7 fc	-23.5 ft
10.0 ft	237.3 fc	-29.3 ft
12.0 ft	164.8 fc	-35.2 ft
14.0 ft	121.1 fc	-41.1 ft
16.0 ft	92.7 fc	-46.9 ft
24.0 ft	41.2 fc	-70.4 ft
32.0 ft	23.2 fc	-93.9 ft
40.0 ft	14.8 fc	-117.4 ft
48.0 ft	10.3 fc	-140.8 ft
56.0 ft	7.6 fc	-164.3 ft
64.0 ft	5.8 fc	-187.8 ft

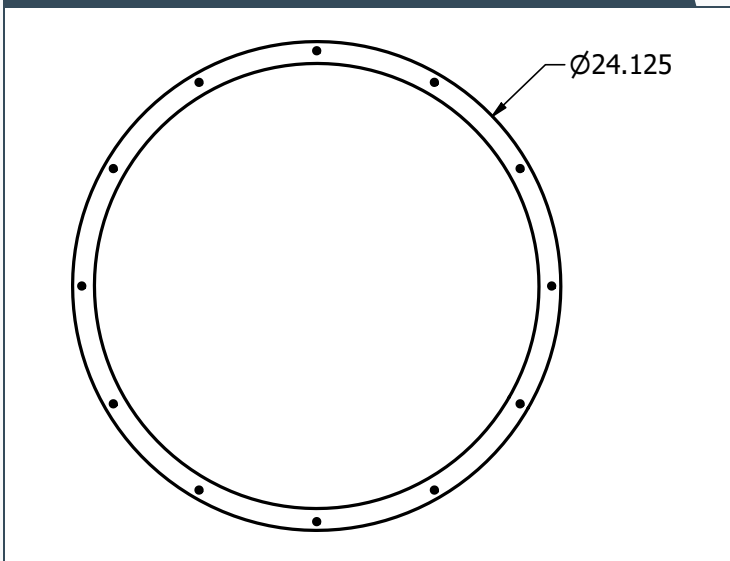
## Dimension Information

Below you will find the dimension table and diagrams for both the indirect and direct models of the LXB.

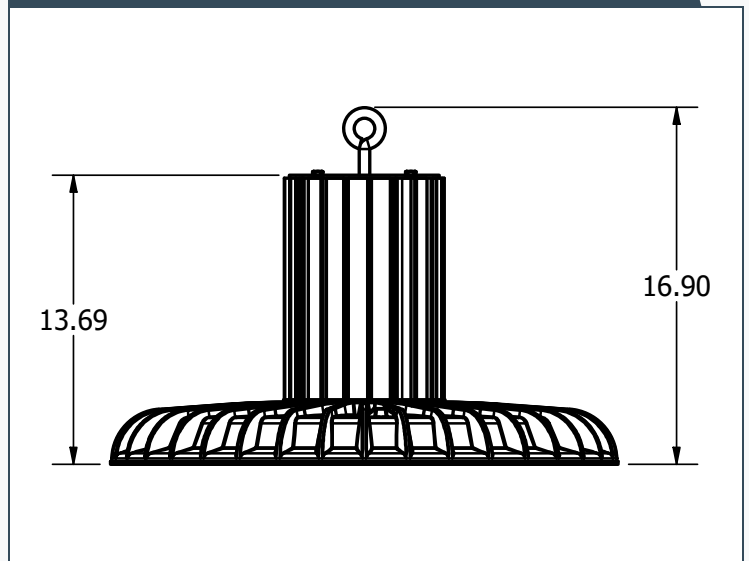
## Dimensions

Type	Width	Height
Direct	24.125"	16.875"
Indirect	24.125"	16.875"

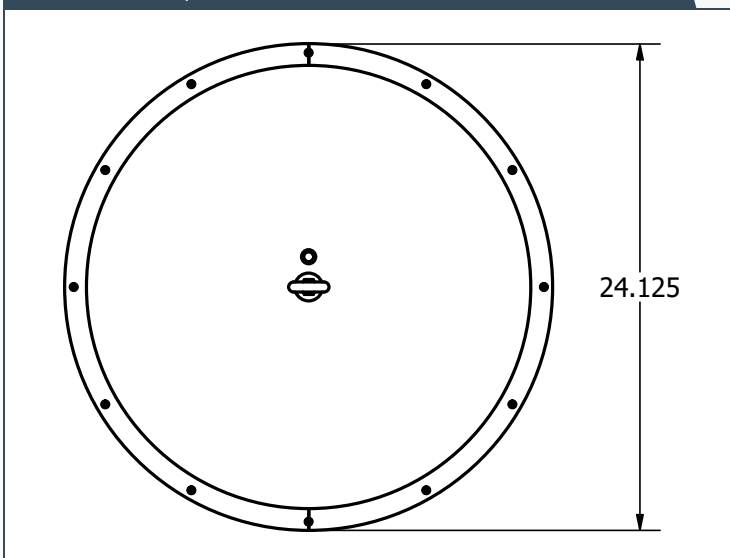
LXB Direct Top



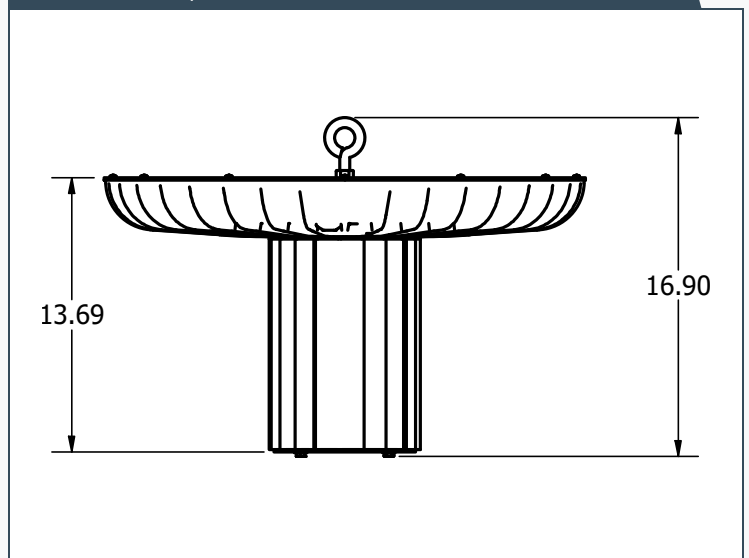
LXB Direct Side



LXB Indirect Top



LXB Indirect Top

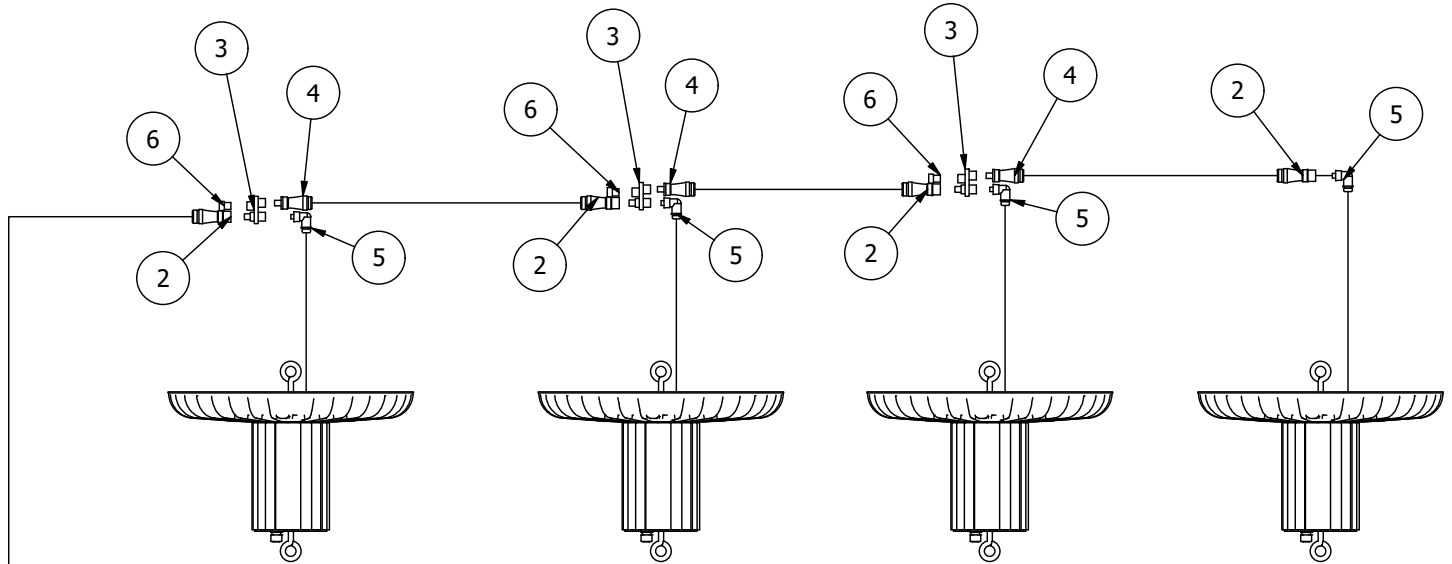


\* Drawings not to scale  
 \* Standard tolerances apply  
 \* Specifications may change without notice

## Dimension Information

Below is the daisy chain wiring diagram for LXB units specifying the **QC** (quick-connect) option code.

## Quick-Connect Daisy-Chain Wiring



12/3 SOW White

2	Z-03896, Female Quick Connect Black
3	Z-03897, Distribution Block Black
4	Z-03900, Male Quick Connect Black
5	Z-03902, Male 90deg Quick Connect Black
6	Z-03903, Male Cover Quick Connect Black

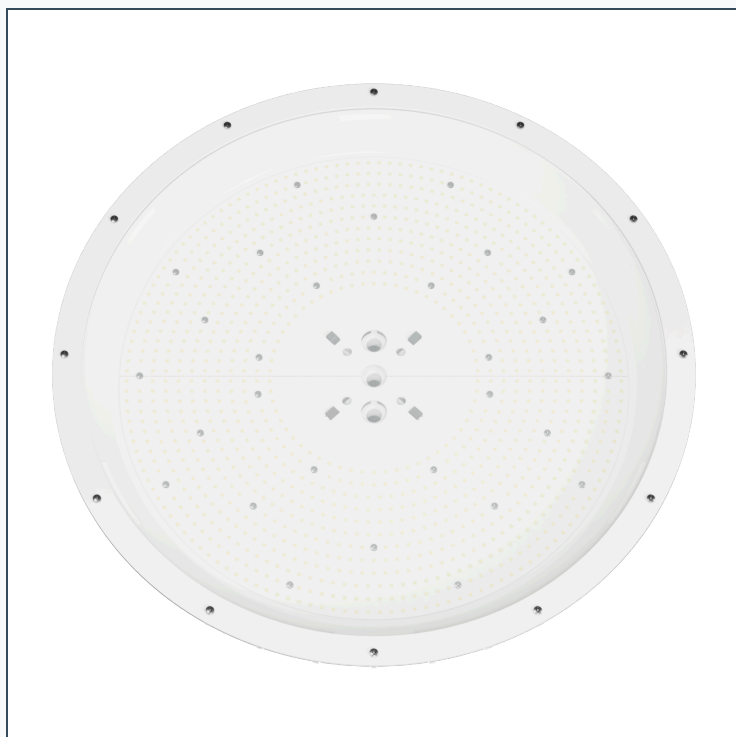
\* Drawings not to scale

\* Standard tolerances apply

\* Specifications may change without notice

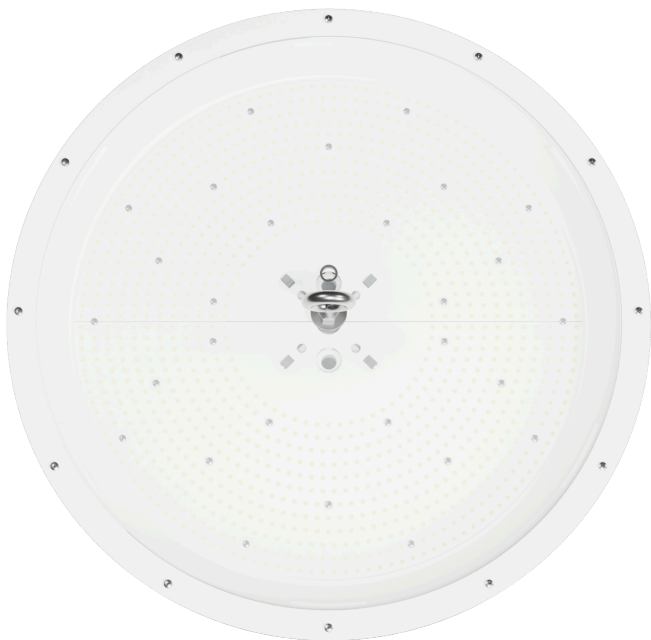
## Gallery Information

Below you will find images of relevant products and configurations for the DIRECT LXB-D65.



## Gallery Information

Below you will find images of relevant products and configurations for the INDIRECT LXB-I65.



# LXB

Indirect / Direct Sports Lighter

