

The Cranbrook Series

BLC - Suspended Circular Series

Project

Date

Part

Type



About The Cranbrook Series

The BLC is a suspended LED circular fixture, that has been designed for indoor use, where energy efficiency and performance are essential. Designed and manufactured in Ontario, Canada, this fixture is an elegant solution ideally suited for architectural applications.

Specifications

Supported Voltage	120-277V, 347V, 120-347V, 277-480V, 480V
Available Sizes	18" and 24"
Lifetime	L70 of 100,000+ hours
Lumens	2.5L (2500lm) to 12L (12000lm)
CCT	2700K, 3000K, 3500K, 4000K, 5000K, 6500K
CRI	80+ standard, 90+ and 95+ available
Dimming	0-10V Standard
Mounting	Holes provided for aircraft cable and optional pendant mounting

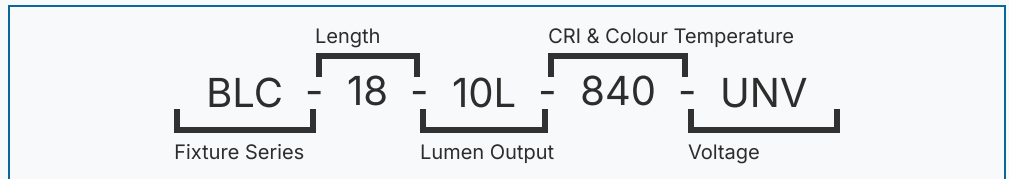
Approvals

- Made with UL Listed components
- Designed and Manufactured in Canada

The Cranbrook Series

BLC - Suspended Circular Series

Please use the diagram to the right as an example of a completed order code. If you need any assistance contact your local sales representative.



1	2	3	4	5	6
BLC					

Series	Size	Lumen Output	CRI	CCT	Voltage
BLC	BLC	18 18"	8 80	27 2700K	UNV 120-277V
		24 24"	9 90+	30 3000K	347 347V
		7.5L (7,500 lm)	1 95+	35 3500K	UN3 120-347V
		8.5L (8,500 lm)	0 THRIVE	40 4000K	277-480 277-480V
		10L (10,000 lm)		50 5000K	480 480V
		11L (11,000 lm)		65 6500K	
		12L (12,000 lm)			

7

Options

Lenses

BLANK | Frosted Acrylic

Dimming

B11 | 0-10V Dimming Leads
 B12 | Line Voltage Dimming
 B27 | Dim-to-off Driver
 B** | Other Options Available*

Cords

W3xx | White 16/3 (Specify Length)
 W4xx | Black 16/3 (Specify Length)
 W59xx | White 16/5 (Specify Length)
 W** | Other Options Available*

Key.	Cord Length.	Key	Cord Length
6	6FT	15	15FT
10	10FT	20	20FT

Ex. W406 would be 16/3 Black, 6FT

Wireless Controls

WCAWN | Lutron Athena (Node)
 WCAWNS | Lutron Athena (Sensor)
 WC10 | Encelium
 WC18 | NX Wireless
 WC19 | Avi-on
 WC22 | JDRF Autonomy
 WC31 | Keilton
 WCxx | Other Options Available*

Mounting

M24 | Single Pendant Mounting w/ 3/4" Hub (pipe supplied by other)
 M62xx | Aircraft Loop Kits w/ Side Exit Cable Grippers
 M63xx | White 5" Canopy J-Box Kit w/ Aircraft Cables(specify length), Cable Puck & Grippers
 M64xx | White 5" Canopy J-Box Kit w/ 3x Aircraft Cables(specify length), Mounting Plate & Grippers
 M** | Other Options Available

Key.	Aircraft Length.	Key	Aircraft Length
5	5FT	15	15FT
10	10FT	20	20FT

Ex. M6410 would be M63xx w/ 3x 10' Aircraft

Warranty

CL7 | 10-Year Comprehensive Warranty Upgrade

Finish

BLANK | Standard Gloss White
 C5 | Matte Black
 CUSTOM* | Custom Colour Choice

Packaging

BLANK | Individually Boxed on Pallets
 P0 | Bulk Packaging


The Cranbrook Series

BLC - Suspended Circular Series

Documentation and Resources

All files and resources are available on our website for download. Files and resources are also embedded as links in this document, listed below. Additional files may be available upon request.




Please contact your local sales agent [here](#) or contact sales@bjtake.com for more information.

 [BLC - Photometry](#)

 [BLC - Installation Instructions](#)

Certifications and Listings

Certifications that apply to this fixture and its possible configurations are listed here. More information available upon request.

Icon	Description
	Wireless Controls Available
	90 and 95+ CRI Options Available
	120-347V(UN3) Available

Usage Applications

This fixture can be used in a variety of applications, and is ideal for the following:

Usage Application
High Ceiling Entrances
Show Rooms
Retail Stores

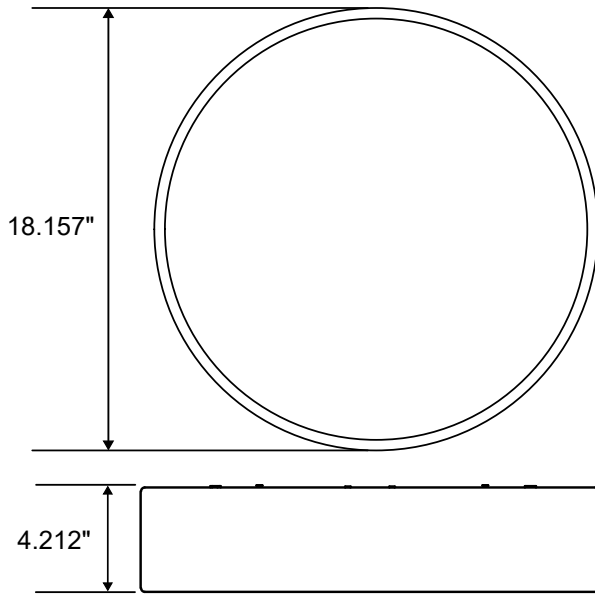
Warranty Statement

BJ Take products are tested and/or inspected prior to being packaged for shipment and are guaranteed from the day the product is shipped for a period of ten-year LED chip warranty and a five-year comprehensive component warranty. This can be upgraded to a ten-year comprehensive warranty on request.

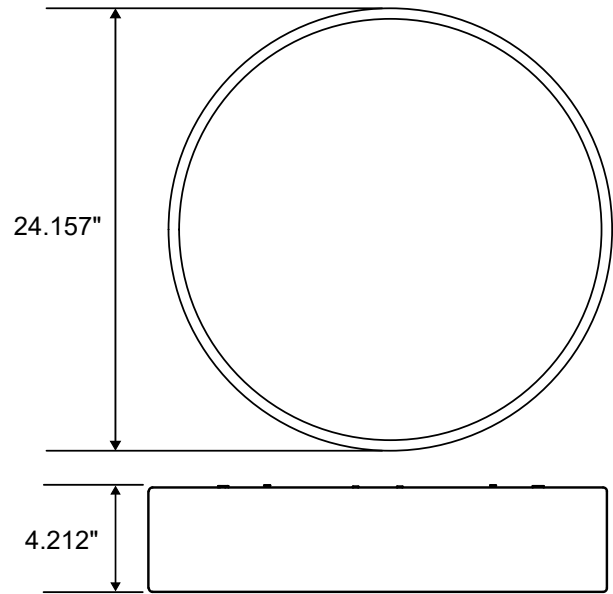
Dimension Information

Below you will find the dimensions for the BLC.

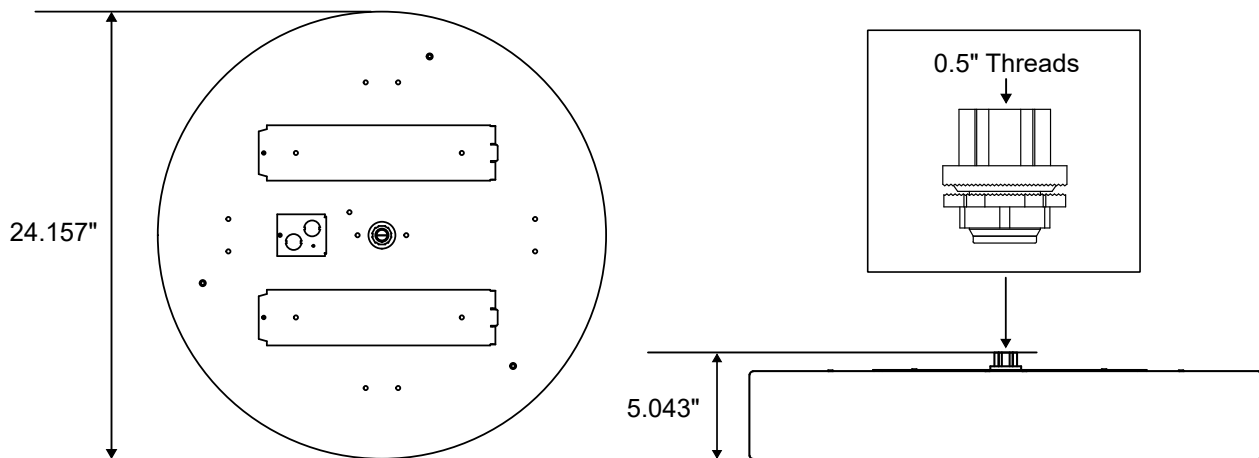
18" Model



24" Model



24" Model w/ M24 hub



* Drawings not to scale

* Standard tolerances apply

* Specifications may change without notice

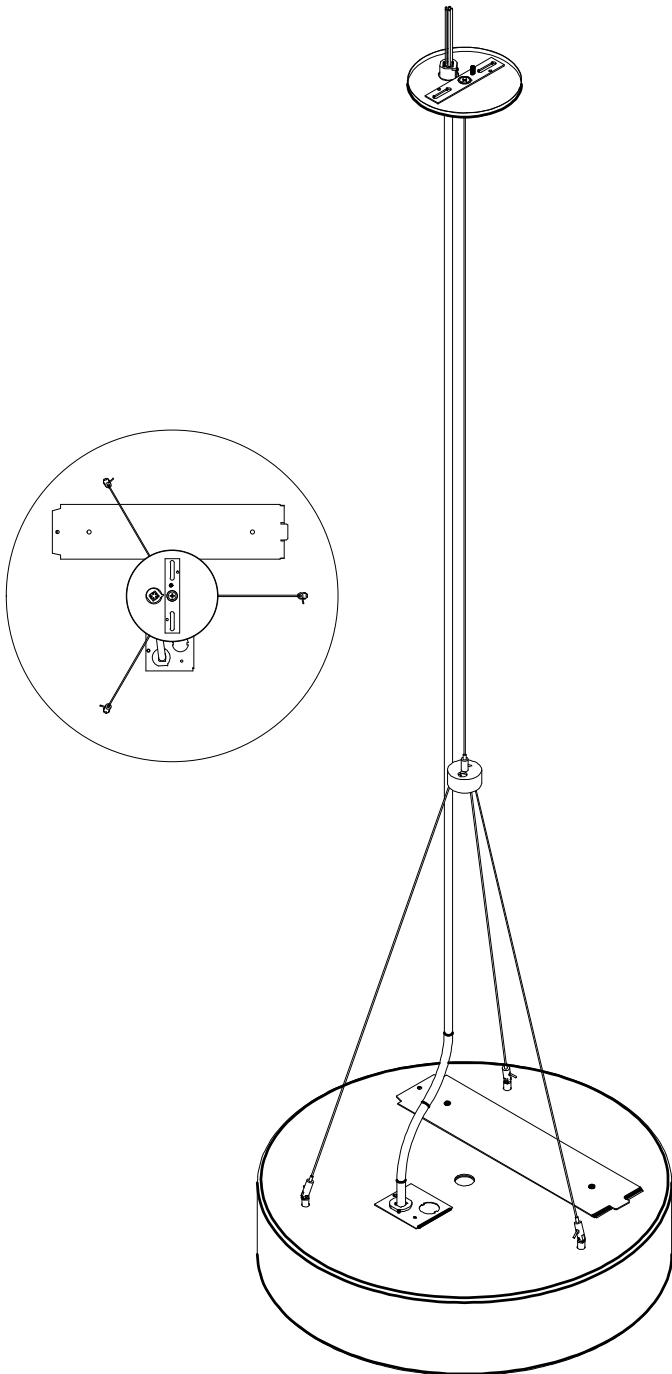
The Cranbrook Series

BLC - Suspended Circular Series

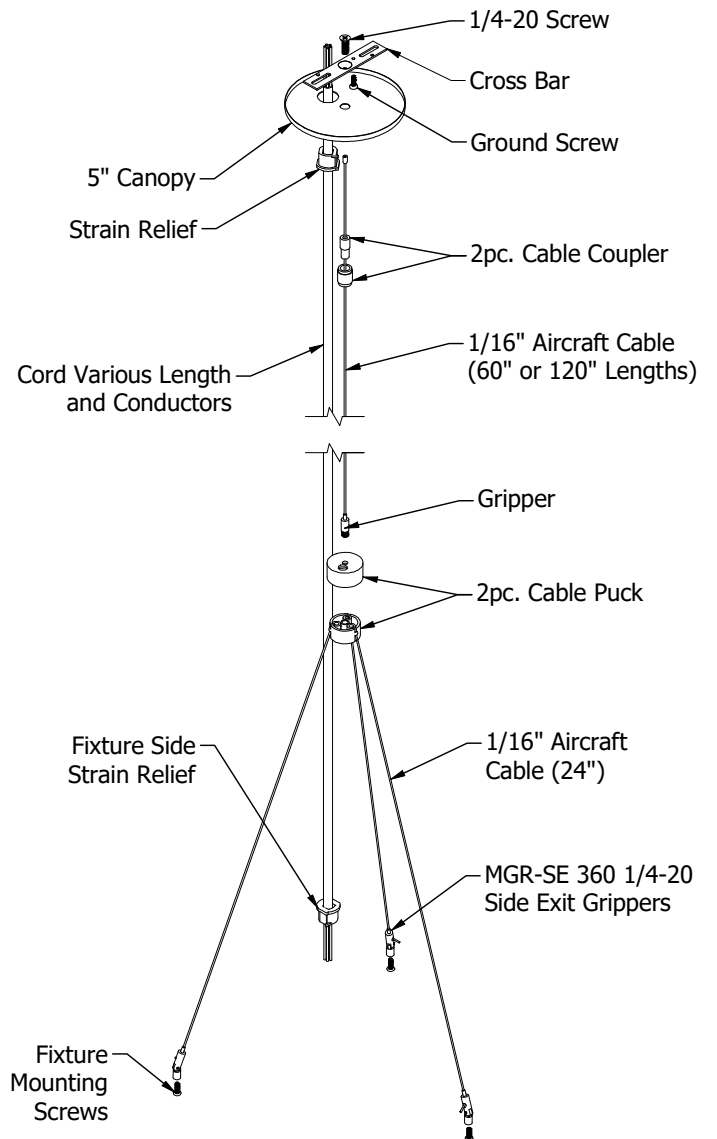
Circular Lighting by **BJTAKE**
LIGHTING

Below is a breakdown of the M63xx mounting option.

BLC M63xx Overview



BLC M63xx Breakdown



* Drawings not to scale

* Standard tolerances apply

* Specifications may change without notice

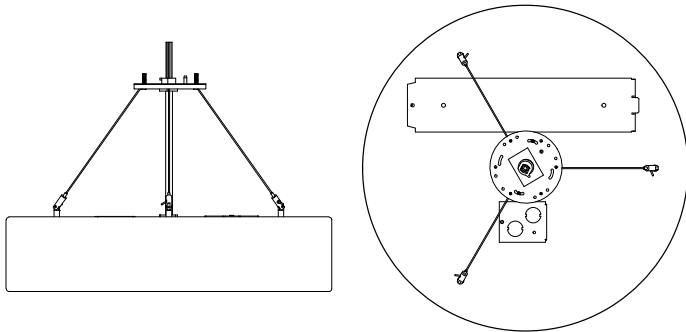
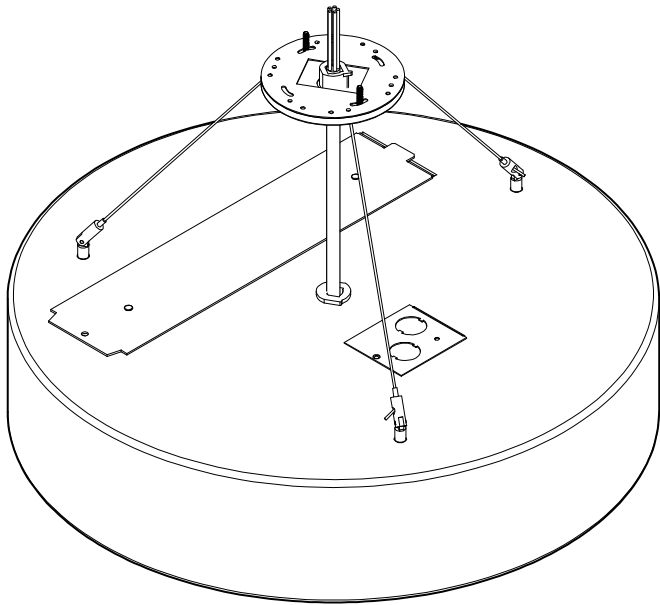
The Cranbrook Series

BLC - Suspended Circular Series

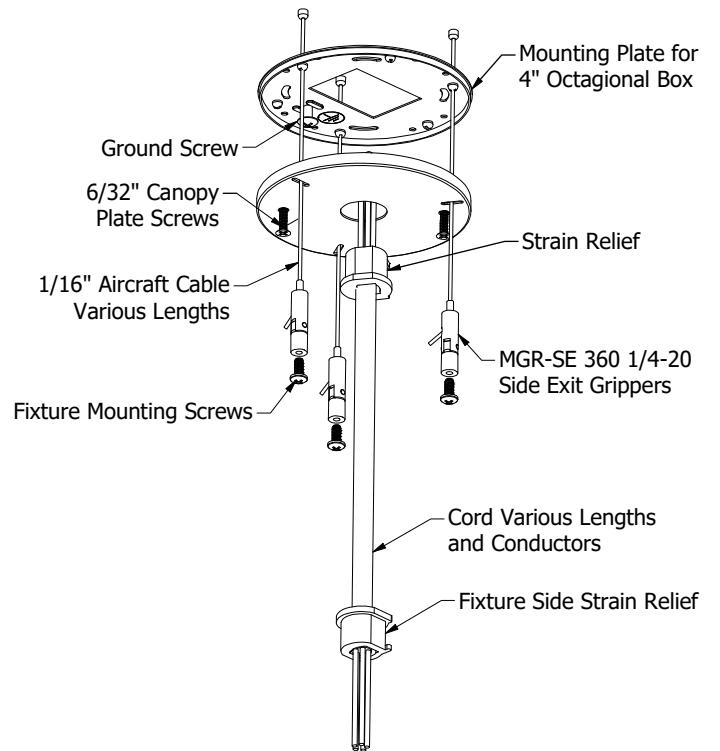
Circular Lighting by **BJTAKE**
LIGHTING

Below is a breakdown of the M64xx mounting option.

BLC M64xx Overview



BLC M64xx Breakdown



* Drawings not to scale

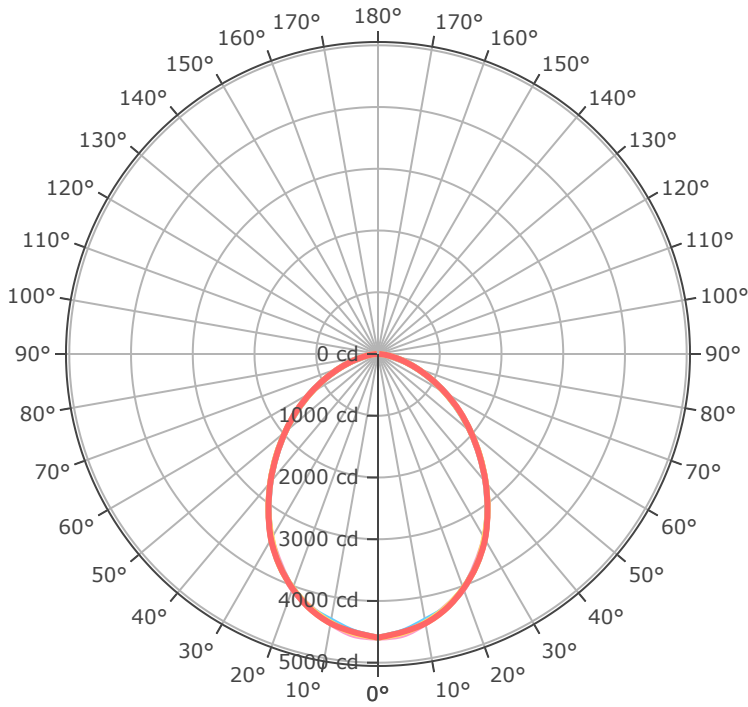
* Standard tolerances apply

* Specifications may change without notice

The Cranbrook Series

BLC - Suspended Circular Series

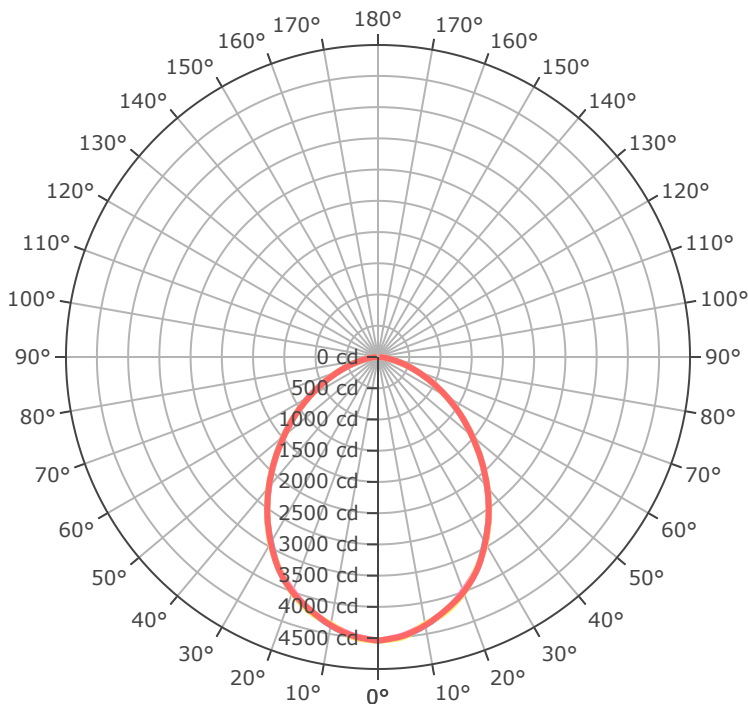
BLC18-10L-830



- 0.0°
- 45.0°
- 90.0°
- 135.0°
- 180.0°

Mtg Height	Light Level	Beam Diameter
6.0 ft	127.6 fc	12.2 ft
8.0 ft	71.8 fc	16.2 ft
10.0 ft	45.9 fc	20.3 ft
12.0 ft	31.9 fc	24.3 ft
14.0 ft	23.4 fc	28.4 ft
16.0 ft	17.9 fc	32.5 ft
24.0 ft	8.0 fc	48.7 ft
32.0 ft	4.5 fc	64.9 ft
40.0 ft	2.9 fc	81.1 ft
48.0 ft	2.0 fc	97.4 ft
56.0 ft	1.5 fc	113.6 ft
64.0 ft	1.1 fc	129.8 ft

BLC24-10L-830-L18



- 0.0°
- 45.0°
- 90.0°
- 135.0°
- 180.0°

Mtg Height	Light Level	Beam Diameter
6.0 ft	126.1 fc	12.4 ft
8.0 ft	71.0 fc	16.5 ft
10.0 ft	45.4 fc	20.7 ft
12.0 ft	31.5 fc	24.8 ft
14.0 ft	23.2 fc	28.9 ft
16.0 ft	17.7 fc	33.0 ft
24.0 ft	7.9 fc	49.6 ft
32.0 ft	4.4 fc	66.1 ft
40.0 ft	2.8 fc	82.6 ft
48.0 ft	2.0 fc	99.1 ft
56.0 ft	1.4 fc	115.7 ft
64.0 ft	1.1 fc	132.2 ft

THRIVE™ is an **optional** natural daylight technology replacing typical CRI order codes.



THRIVE™ Human-Centric Lighting

Order Code	Option	Use-case
8	80 CRI	Energy-efficient, lower cost, acceptable colour rendering for general lighting applications.
9	90 CRI	More accurate, natural and vibrant colour appearance. Suitable for retail, offices, and applications where colour accuracy is of higher importance.
1	95+ CRI	Near-perfect colour fidelity, excellent for architectural, medical, retail, and other premium applications.
0	THRIVE	Human-centric lighting engineered to provide the most accurate recreation of natural daylight. Highly beneficial for healthcare, office environments, schools and other applications where all-day comfort and general well-being are top priorities.

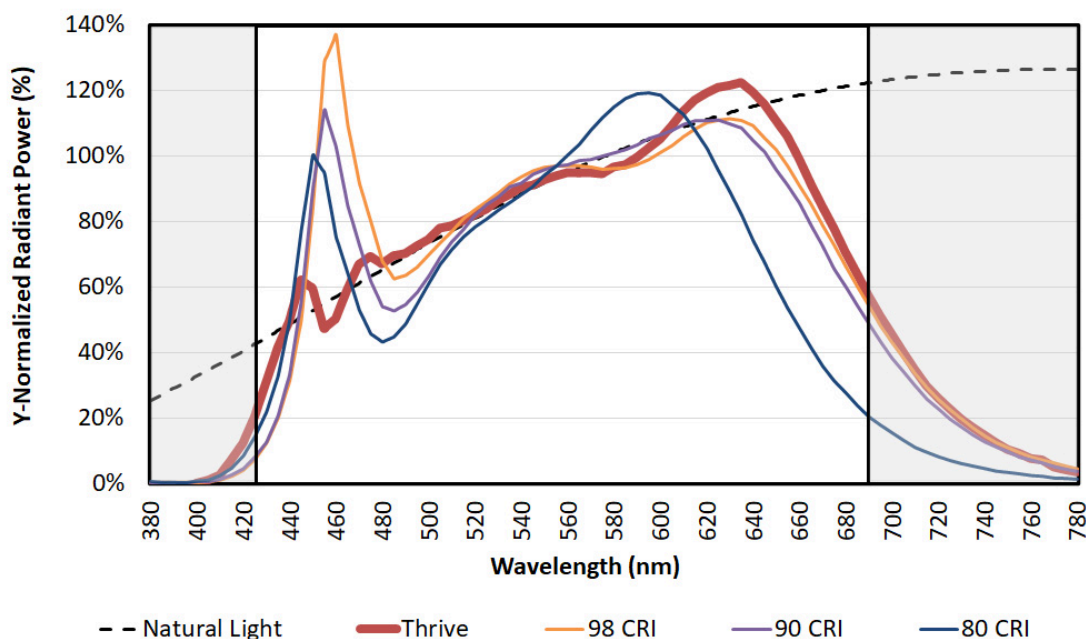
Engineered to provide the closest match to natural light available using proprietary chip, phosphor, and packaging technology, Thrive can be used in constant colour point luminaires to bring full spectrum natural light indoors, or in tunable white luminaires to incorporate circadian elements that may impact human well-being.

The high-fidelity spectral output of Thrive creates stunning environments with excellent colour rendering and outstanding TM-30 metrics. Target applications include office, education, healthcare, retail, hospitality, architectural, museums, and residential lighting.

 [Bridgelux White Paper - Average Spectral Difference.pdf](#)

The effect of the THRIVE™ spectral power distributions at a CCT of 4000K (typical for interior lighting in commercial, office, and education settings) is shown in the figure below. The reference light source at this colour temperature is firelight, represented diagrammatically as the blackbody curve (BBC) and referenced in the below figure as natural light. LEDs offering a CRI of 90 or 98 have a closer match to the blackbody curve than the 80 CRI light source. Nevertheless, across the entire visual spectrum, both light sources show a substantial deviation from the natural light BBC. This is shown in the spectral spikes (deviations above the blackbody curve) and valleys (deviations below the blackbody curve).

Spectral power distributions of LED light sources at 4000K against the blackbody curve.



The Cranbrook Series

BLC - Suspended Circular Series

Gallery Information

Below you will find images of relevant products and configurations for the BLC.

