

The Hearst Series

BLSDH - Suspended Decorative Linear Architectural

Project

Date

Part

Type



About The Hearst Series

The BLSDH is a linear architectural luminaire, crafted to seamlessly integrate into a variety of environments. Its modular design allows for effortless linking with other BLSDH fixtures creating a continuous run of elegant lighting that enhances the aesthetics of any space. This versatile fixture can be mounted surface-mounted, suspended, or pendant-style, offering flexible installation options to suit diverse architectural needs. Ideal for applications such as offices, retail spaces, and educational institutions, the BLSDH provides a refined, professional light source that combines form and function to elevate any interior design.

Specifications

Supported Voltage	120-277V, 277V, 347V, 120-347V
Segment Length	Up to 10ft per segment (6 inch increments)
Lens Length	Seamless up to 80ft
Operating Temperature	-20°C/+40°C (-20°/+25°C w/ Battery Backup)
CCT	2700K, 3000K, 3500K, 4000K, 5000K, 6500K
CRI	80+ standard, 90+ and 95+ available
Lumens	up to 2500lm/ft
Dimming	0-10V Standard
Mounting	V hangers, aircraft cables, pendant mount
Lifetime	L70 of 99,000+ hours, L90 of 30,000+ hours

Approvals

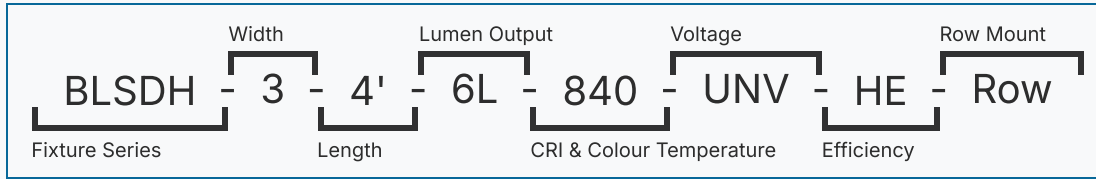
- ETL Listed
- Made with UL Listed components
- Designed and Manufactured in Canada

Warranty

- | 5 Year Comprehensive, 10 Year LED

The Hearst Series

BLS DH - Suspended Decorative Linear Architectural



1	2	3	4	5	6	7
BLS DH						

Series	Size	Length	Lumen Output/ft	CRI	CCT	Voltage	
BLS DH	3	3"	1'	0.25L 250 lm/ft	8 80 CRI	27 2700K	UNV 120-277V
	4	4"	2'	0.50L 500 lm/ft	9 90+ CRI	30 3000K	347 347V
	6	6"	3'	0.75L 750 lm/ft	1 95+ CRI	35 3500K	UN3 120-347V
			4'	1L 1000 lm/ft	0 THRIVE*	40 4000K	
			5'	1.25L 1250 lm/ft	*see page 7	50 5000K	
			6'	1.5L 1500 lm/ft		65 6500K	
			7'	1.75L 1750 lm/ft		RGB-27 RGBW 2700K	
			8'	2L 2000 lm/ft		RGB-30 RGBW 3000K	
			9'	2.25L 2250 lm/ft		RGB-35 RGBW 3500K	
			10'	2.5L 2500 lm/ft		RGB-40 RGBW 4000K	
						RGB-50 RGBW 5000K	
						RGB-65 RGBW 6500K	
						RGB2040 RGBWW 2000K-4000K	
					RGB3050 RGBWW 3000K-5000K		



Options

Lenses & Louvers

L18	Frosted Lens (standard)
L83	Bat Wing Optic Lens
J31	White Louver
LJ4	Black Louver w/ Bat Wing Lens
LJ5	White Louver w/ Bat Wing Lens*
LJ6	White Louver w/ 90° Lens
LJ7	Black Louver w/ 90° Lens*

* See page 5 for beam shapes

Cords

W3xx	White 16/3 (Specify Length)
W4xx	Black 16/3 (Specify Length)
W59xx	White 16/5 (Specify Length)
W***	Other Options Available

Key	Cord Length	Key	Cord Length
6	6FT	15	15FT
10	10FT	20	20FT

Ex. W406 would be 16/3 Black, 6FT

Dimming

B11	0-10V Dimming Leads
B12	Line Voltage Dimming
B27	Dim-to-off Driver
B**	Other Options Available*

Wireless Controls

WCAWN	Lutron Athena (Node)
WCAWNS	Lutron Athena (Sensor)
WC10	Encelium
WC18	NX Wireless
WC19	Avi-on
WC22	JDRF Autonomy
WC31	Keilton
WCxx	Other Options Available*

Motion Sensors

W26	Photocell Motion Sensor
W57	Dimming Motion Sensor (dims to 50% when unoccupied)
W53*	On/Off
W8*	High/Low
WX16	Microwave Dimmable Sensor
W**	Other Options Available*

Emergency Driver

B17	UL924 10W Battery Back-up
F8	UL924 Emergency Relay

Finish

BLANK	Standard Gloss White
C5	Matte Black
CUSTOM*	Custom Colour Choice

Packaging

BLANK	Individually Boxed on Pallets
P0	Bulk Packaging
P**	Other Options Available*

Mounting

Row	Continuous Row-mount
M1	V-Hangers
M2xx	V-Hanger with Aircraft Loop Cables
M3xx	Y-Toggle Aircraft Cables
M24	Single Pendant Mount(3/4 Hub)
M36	Knock-outs on both ends
M62xx	Aircraft Loop Kits w/ Side Exit Cable Grippers
M**	Other Options Available*

Efficiency

HE	High-Efficiency LED Components
----	--------------------------------

Canopy

M35xx	White canopy kits for T-bar or j-box mounting
M61xx	Black canopy kits for j-box mounting

Modular Wiring


W27XYZC	Modular Power Cable
W22XY	Molex Row Mounting Wiring


Warranty

CL7	10-Year Comprehensive Warranty Upgrade
-----	--

Documentation and Resources





All files and resources are available on our website for download. Files and resources are also embedded as links in this document, listed below.
Additional files may be available upon request.
Please contact your local sales agent [here](#) or contact sales@bjtake.com for more information.

 [BLSDH Installation Instructions - 2025](#)

 [BLSDH - Photometry](#)

Certifications and Listings

Certifications that apply to this fixture and its possible configurations are listed here. More information available upon request.

Icon	Description
	Wireless Controls Available
	ETL Listed
	90 and 95+ CRI Options Available
	120-347V(UN3) Available

Usage Applications

This fixture can be used in a variety of applications, and is ideal for the following:

Usage Application
Offices
Retail Stores
Schools

Warranty Statement

BJ Take products are tested and/or inspected prior to being packaged for shipment and are guaranteed from the day the product is shipped for a period of ten-year LED chip warranty and a five-year comprehensive component warranty. This can be upgraded to a ten-year comprehensive warranty on request.

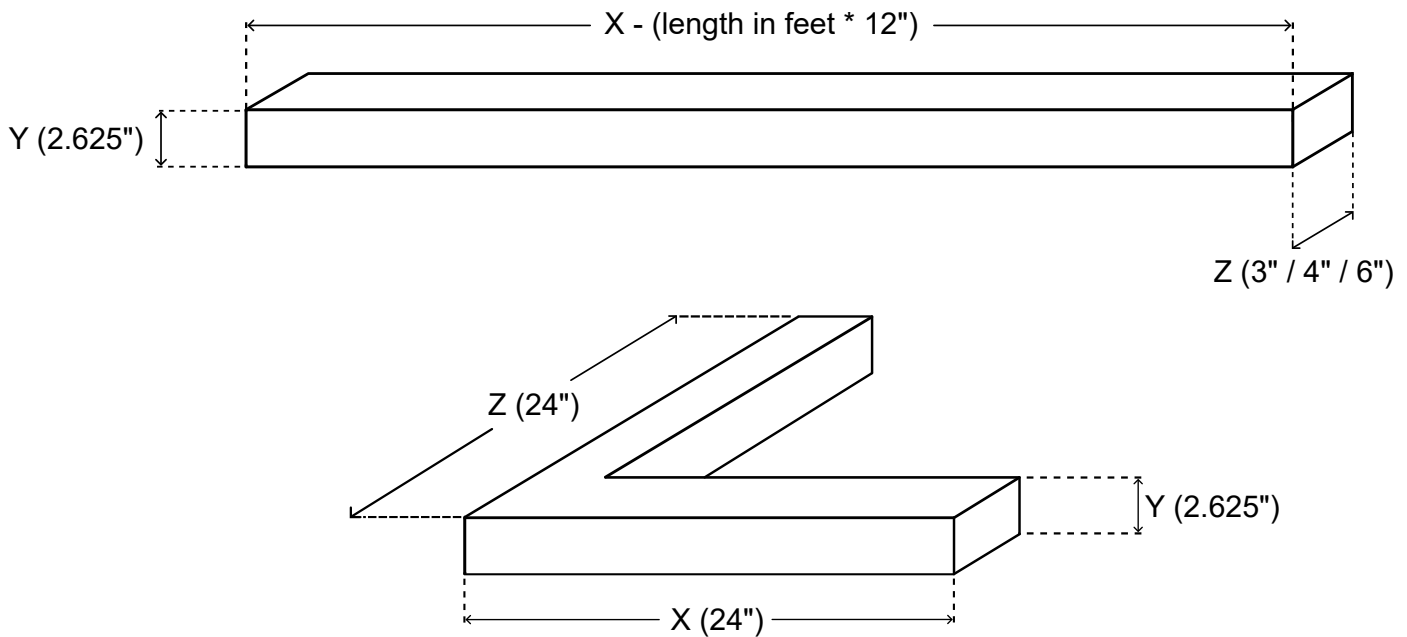
The Hearst Series

BLS DH - Suspended Decorative Linear Architectural

Architectural Lighting by **BJTAKE**
LIGHTING

BLS DH Dimensions

Size	X (length)	Y (height)	Z (depth)
2FT - 3W	24.0 in	2.625 in	3.0 in
2FT - 4W	24.0 in	2.625 in	4.0 in
2FT - 6W	24.0 in	2.625 in	6.0 in
4FT - 3W	48.0 in	2.625 in	3.0 in
4FT - 4W	48.0 in	2.625 in	4.0 in
4FT - 6W	48.0 in	2.625 in	6.0 in
6FT - 3W	72.0 in	2.625 in	3.0 in
6FT - 4W	72.0 in	2.625 in	4.0 in
6FT - 6W	72.0 in	2.625 in	6.0 in
8FT - 3W	96.0 in	2.625 in	3.0 in
8FT - 4W	96.0 in	2.625 in	4.0 in
8FT - 6W	96.0 in	2.625 in	6.0 in
10FT - 3W	120.0 in	2.625 in	3.0 in
10FT - 4W	120.0 in	2.625 in	4.0 in
10FT - 6W	120.0 in	2.625 in	6.0 in
CORNER	24.0 in	2.625 in	24.0 in



* Drawings not to scale

* Standard tolerances apply

* Specifications may change without notice

The Hearst Series

BLSDH - Suspended Decorative Linear Architectural

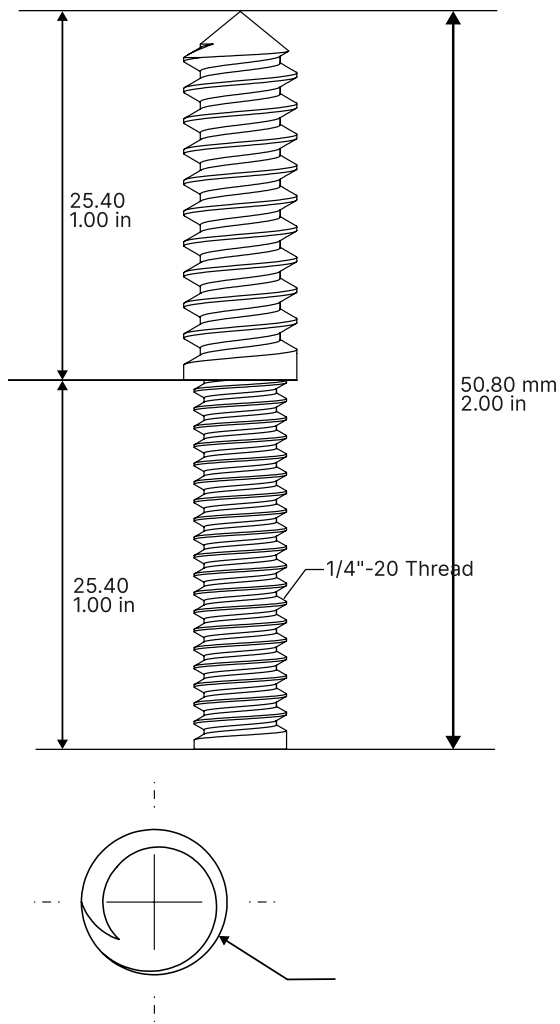
Architectural Lighting by **BJTAKE**
LIGHTING

Non-Mains Feed Canopy Mount

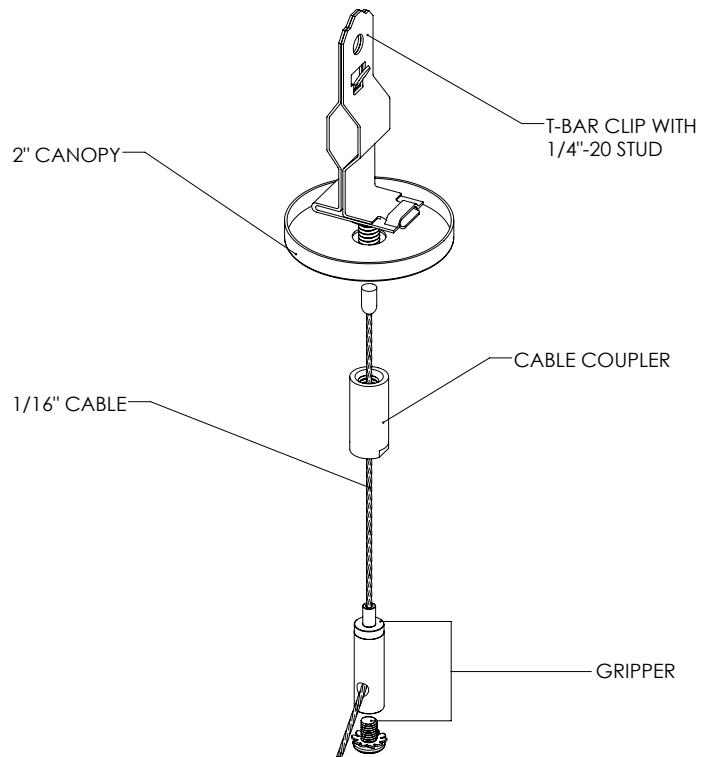
The T-Bar Clip shown below is attached by enclosing it around the existing T-Bar ceiling support. The 2" canopy cover and cable coupler system can then be attached to the ceiling support as shown.

2" L-Hanger Support Bolt

The 2-inch L Hanger Bolt shown below can be used in lieu of the T-Bar canopy clip when a T-Bar ceiling support system is not present. The canopy coupler can then be threaded to the end of the L Hanger bolt for its suspension support.



T-Bar Clip Ceiling Support (Canopy Kit & Bracket)



* Drawings not to scale

* Standard tolerances apply

* Specifications may change without notice

The Hearst Series

BLSDH - Suspended Decorative Linear Architectural

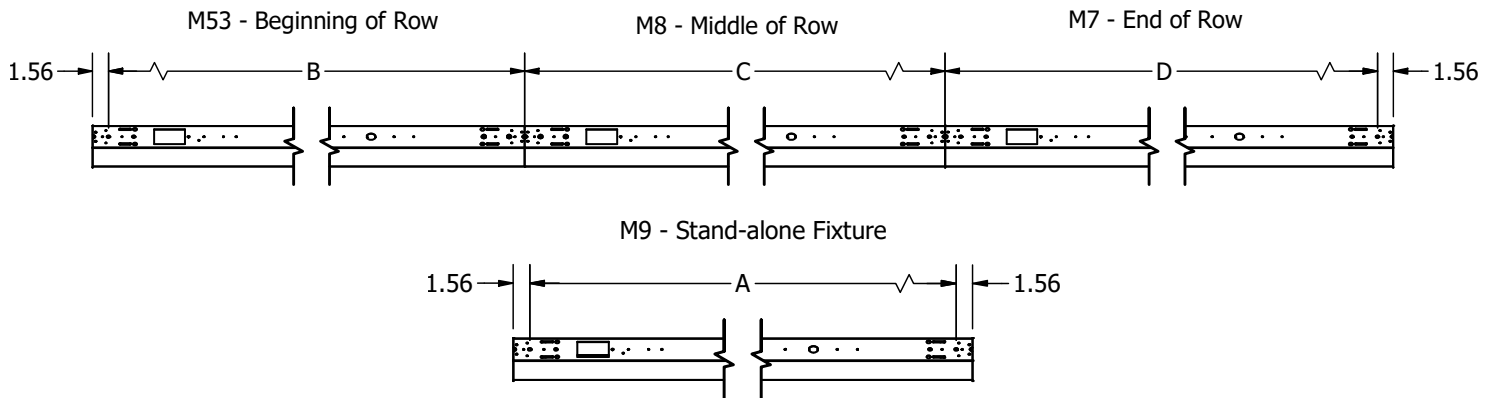
Mounting Information

The following table and diagrams show the dimensions for the mounting locations for various configurations as well as continuous row-mount specifications.

Mounting Location Dimensions

Dimension	2 FT	4 FT	6 FT	8 FT
A	20.94	44.94	68.94	92.94
B	22.47	46.47	70.47	94.47
C	24.00	48.00	72.00	96.00
D	22.47	46.47	70.47	94.47

Mounting Location Diagrams



* Drawings not to scale

* Standard tolerances apply

* Specifications may change without notice

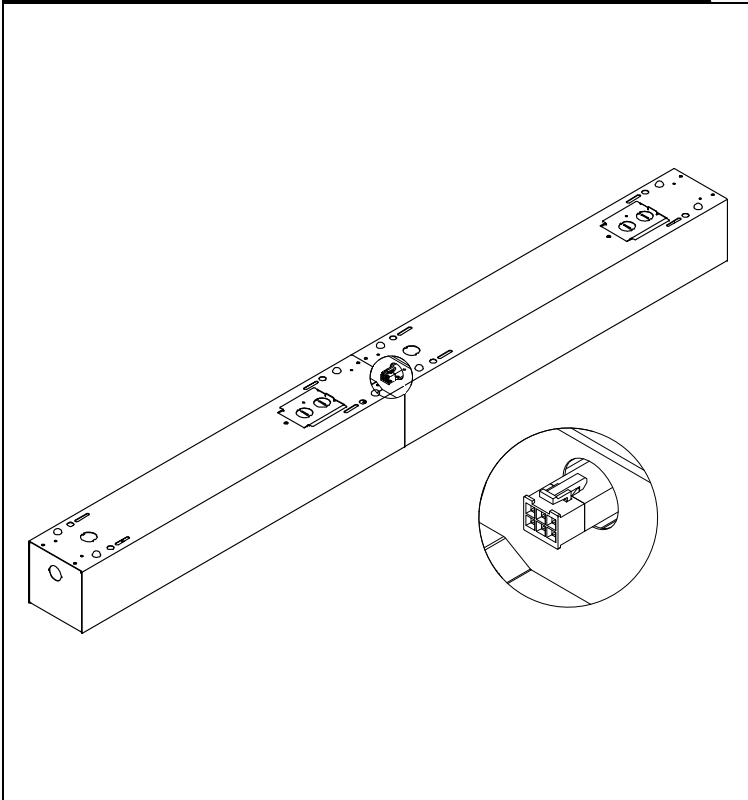
The Hearst Series

BLSDH - Suspended Decorative Linear Architectural

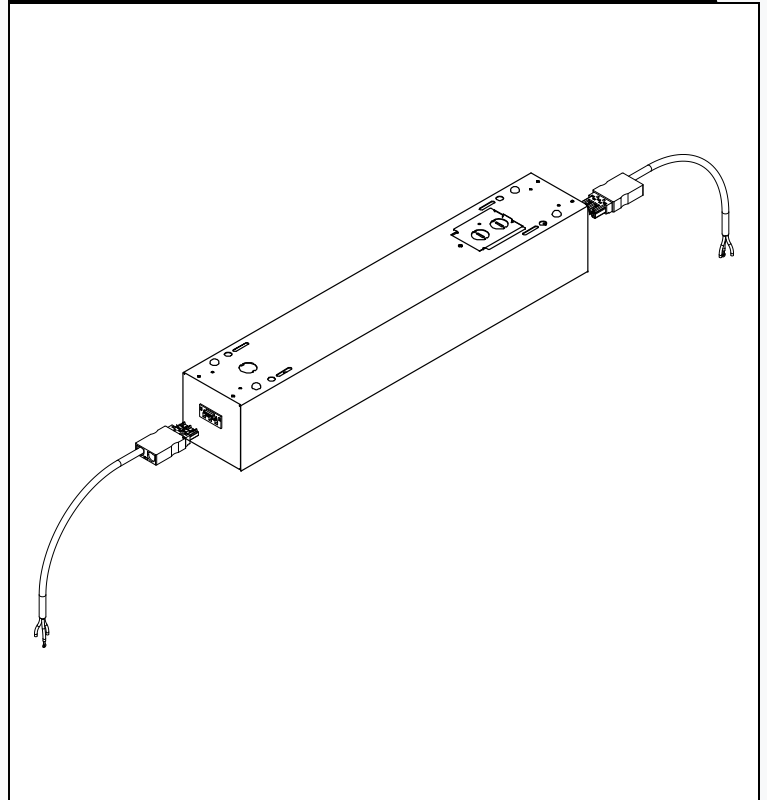
Modular Wiring

The BLSDH has options for modular wiring.
Below you will find the diagrams for these wiring options, and the relevant option codes necessary for ordering them.

W22XY - Molex Row Mounting Wiring



W27XYZC - Modular Power Cable



W22XY - Molex Row Mounting Wiring

X - Style	Y - Poles	Through-Wiring
E - End	3 - 3 Pole	Blank - None
.	4 - 4 Pole	(RowA) - Alternating Circuit A
.	5 - 5 Pole	(RowB) - Alternating Circuit B
.	6 - 6 Pole	.

W27XYZC - Modular Power Cable

X - Style	Y - Poles	Z - Wiring	C - Colour
S - Side	3 - 3 Pole	Blank - Standard	Blank - White
E - End	4 - 4 Pole	E - End of Row	B - Black
T - Top	5 - 5 Pole	.	G - Grey
.	6 - 6 Pole	.	.

The Hearst Series

BLSDH - Suspended Decorative Linear Architectural

Wattage Information

Below are the wattage tables for the BLSDH.

Standard Model

Lumen Output/ft	Wattage/ft	lm/W
0.250	1.93	136
0.375	2.89	134
0.500	3.94	133
0.750	5.99	129
1.000	8.20	125
1.250	10.56	122
1.500	13.03	119
1.750	15.45	116
2.000	16.23	125
2.250	18.48	124

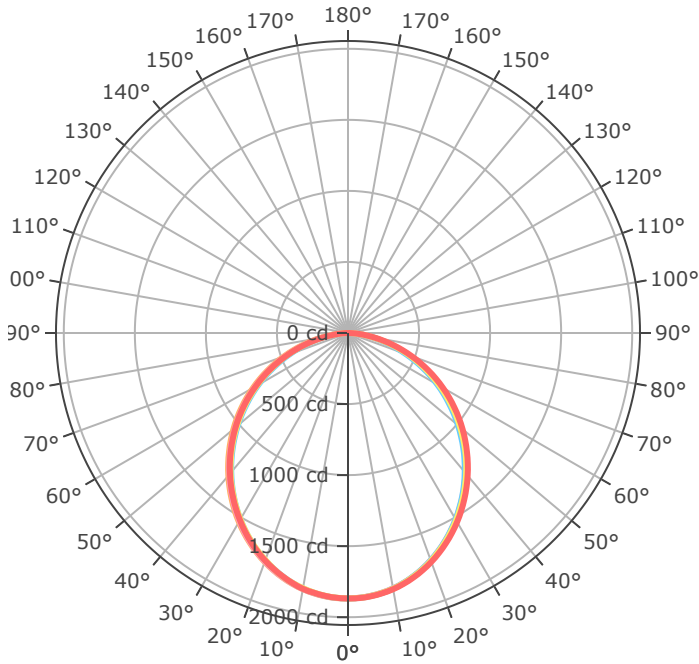
* Actual lumen output may vary

The Hearst Series

BLSDH - Suspended Decorative Linear Architectural

Architectural Lighting by **BJTAKE**
LIGHTING

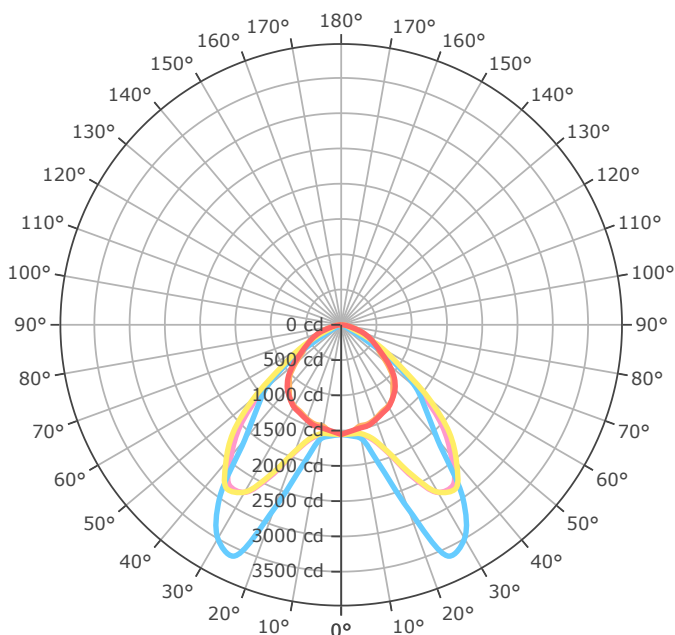
BLSDH - 4FT 5L 840 (Frosted Standard Lens)



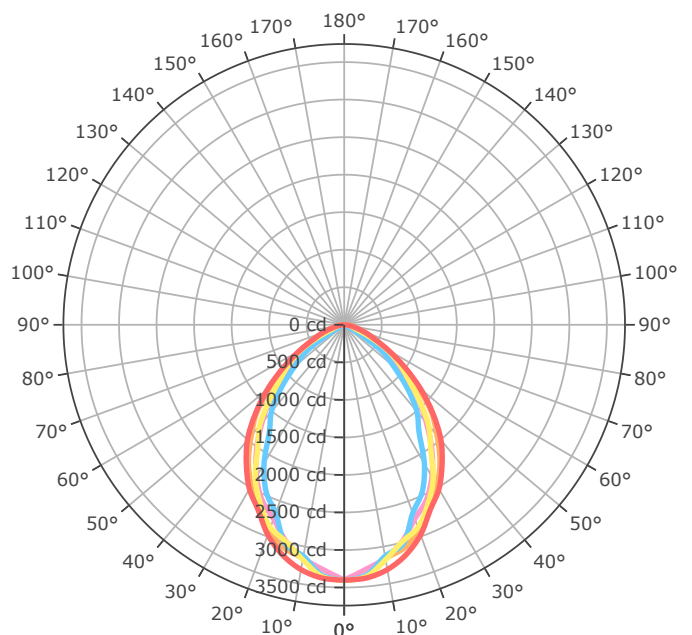
- 0.0° - 180.0°
- 45.0° - 225.0°
- 90.0° - 270.0°
- 135.0° - 315.0°
- 180.0° - 360.0°

Mtg Height	Light Level	Beam Diameter
6.0 ft	51.9 fc	16.3 ft
8.0 ft	29.2 fc	21.7 ft
10.0 ft	18.7 fc	27.1 ft
12.0 ft	13.0 fc	32.5 ft
14.0 ft	9.5 fc	37.9 ft
16.0 ft	7.3 fc	43.3 ft
24.0 ft	3.2 fc	65.0 ft
32.0 ft	1.8 fc	86.7 ft
40.0 ft	1.2 fc	108.4 ft
48.0 ft	0.8 fc	130.0 ft
56.0 ft	0.6 fc	151.7 ft
64.0 ft	0.5 fc	173.4 ft

BLSDH - LJ5 (White Louver, Bat Wing Lens)



BLSDH - LJ7 (Black Louver, 90° Lens)



THRIVE™ is an **optional** natural daylight technology replacing typical CRI order codes.



Order Code	Option	Use-case
8	80 CRI	Energy-efficient, lower cost, acceptable colour rendering for general lighting applications.
9	90 CRI	More accurate, natural and vibrant colour appearance. Suitable for retail, offices, and applications where colour accuracy is of higher importance.
1	95+ CRI	Near-perfect colour fidelity, excellent for architectural, medical, retail, and other premium applications.
0	THRIVE	Human-centric lighting engineered to provide the most accurate recreation of natural daylight. Highly beneficial for healthcare, office environments, schools and other applications where all-day comfort and general well-being are top priorities.

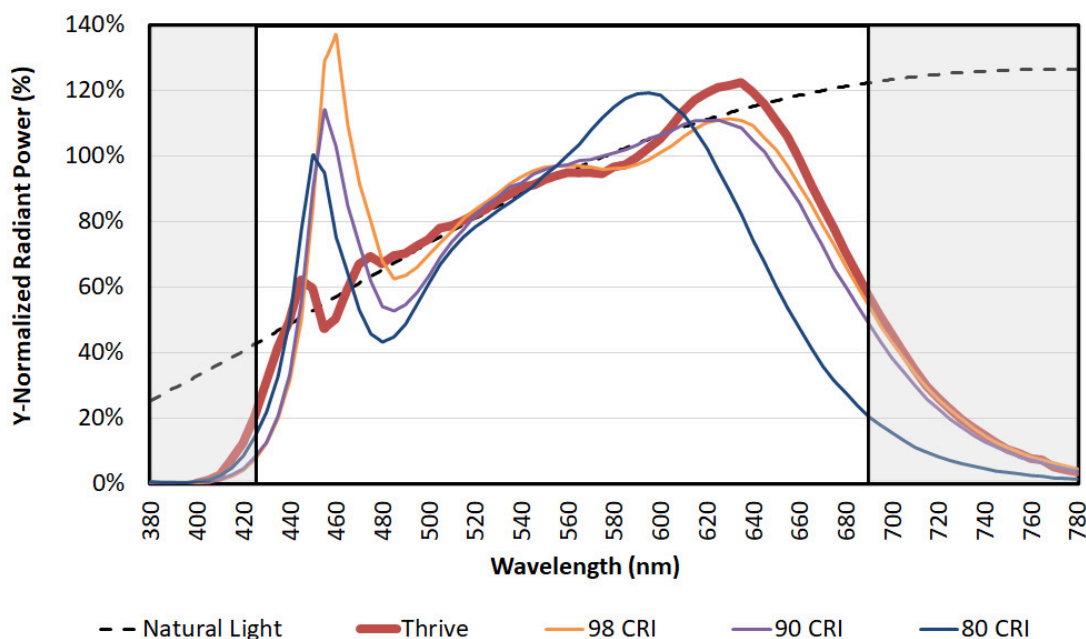
Engineered to provide the closest match to natural light available using proprietary chip, phosphor, and packaging technology, Thrive can be used in constant colour point luminaires to bring full spectrum natural light indoors, or in tunable white luminaires to incorporate circadian elements that may impact human well-being.

The high-fidelity spectral output of Thrive creates stunning environments with excellent colour rendering and outstanding TM-30 metrics. Target applications include office, education, healthcare, retail, hospitality, architectural, museums, and residential lighting.

[Bridgelux White Paper - Average Spectral Difference.pdf](#)

The effect of the THRIVE™ spectral power distributions at a CCT of 4000K (typical for interior lighting in commercial, office, and education settings) is shown in the figure below. The reference light source at this colour temperature is firelight, represented diagrammatically as the blackbody curve (BBC) and referenced in the below figure as natural light. LEDs offering a CRI of 90 or 98 have a closer match to the blackbody curve than the 80 CRI light source. Nevertheless, across the entire visual spectrum, both light sources show a substantial deviation from the natural light BBC. This is shown in the spectral spikes (deviations above the blackbody curve) and valleys (deviations below the blackbody curve).

Spectral power distributions of LED light sources at 4000K against the blackbody curve.



The Hearst Series

BLS DH - Suspended Decorative Linear Architectural

Gallery Information

Below you will find images of relevant products and configurations for the BLS DH.

