

The Iroquois Series

BLSPTI - True Length Linear Strip

Project

Date

Part

Type



About The Iroquois Series

The BLSPTI is a LED true-length linear strip fixture designed for surface and suspended mounting. It is well suited for indoor use where high efficiency, row-mountable task lighting is required. Its narrow strip design and modern profile make it an ideal fixture for task lighting applications.

Specifications

Supported Voltage	120-277V, 347V, 120-347V
Available Sizes	1', 2', 4', 6', 8', 10' - true length(1' is exactly 1' in length, etc) *custom sizes available
Lifetime	L70 of 99,000+ hours, L90 of 30,000+ hours
Lumens	1' 1.125L (1125lm) to 8' 23L (23000lm)
Operating Temperature	-20°C/+25°C (-40°/+40°C upgrade)
CCT	2700K, 3000K, 3500K, 4000K, 5000K, 6500K
CRI	80+ standard, 90+ and 95+ available
Dimming	0-10V Standard
Mounting	Holes provided for V-hangers, S-hook chain-mounting, or aircraft cables. Optional pendant mount and row-mount brackets. Knockouts provided for row mounting

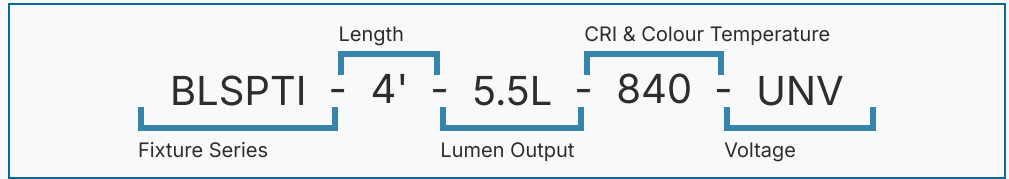
Approvals

- ETL Listed
- DLC Listed
- Dry and Damp Environment Rated
- Designed and Manufactured in Canada

The Iroquois Series

BLSPTI - True Length Linear Strip

Please use the diagram to the right as an example of a completed order code. If you need any assistance contact your local sales representative.



1	2	3	4	5
BLSPTI				

Series	Length & Lumen Output		CRI	CCT	Voltage					
BLSPTI	1' - 1.125L	1126 lm	4' - 9.5L	9500 lm	8	80	27	2700K	UNV	120-
	1' - 1.375L	1377 lm	4' - 10.5L	10500 lm	9	90+	30	3000K		277V
	1' - 1.75L	1755 lm	4' - 11.5L	11500 lm	1	95+	35	3500K	347	347V
	2' - 2.5L	2353 lm	8' - 5L	5000 lm	0	THRIVE	40	4000K	UN3	120-
	2' - 3.5L	3294 lm	8' - 7L	7000 lm			50	5000K		347V
	2' - 4.5L	4271 lm	8' - 9L	9000 lm			65	6500K		
	4' - 2.5L	2500 lm	8' - 11L	11000 lm						
	4' - 3.5L	3500 lm	8' - 13L	13000 lm						
	4' - 4.5L	4500 lm	8' - 15L	15000 lm						
	4' - 5.5L	5500 lm	8' - 17L	17000 lm						
	4' - 6.5L	6500 lm	8' - 19L	19000 lm						
	4' - 7.5L	7250 lm	8' - 21L	21000 lm						
	4' - 8.5L	8500 lm	8' - 23L	23000 lm						

6

Options

<p>Lenses</p> <p>L18 Impact-Resistant Frosted Lens</p> <p>Cords</p> <p>W3xx White 16/3 (Specify Length)</p> <p>W4xx Black 16/3 (Specify Length)</p> <p>W59xx White 16/5 (Specify Length)</p> <p>W*** Other Options Available</p> <table border="1"> <thead> <tr> <th>Key.</th> <th>Cord Length.</th> <th>Key</th> <th>Cord Length</th> </tr> </thead> <tbody> <tr> <td>6</td> <td>6FT</td> <td>15</td> <td>15FT</td> </tr> <tr> <td>10</td> <td>10FT</td> <td>20</td> <td>20FT</td> </tr> </tbody> </table> <p>Ex. W406 would be 16/3 Black, 6FT</p> <p>Motion Sensors</p> <p>W26 Photocell Motion Sensor</p> <p>W57 Dimming Motion Sensor (dims to 50% when unoccupied)</p> <p>W53* On/Off</p> <p>W8* High/Low</p> <p>WX16 Microwave Dimmable Sensor</p> <p>W** Other Options Available</p> <p>Wire Guard</p> <p>G1 Heavy Duty White</p> <p>G5 Heavy Duty Black</p>	Key.	Cord Length.	Key	Cord Length	6	6FT	15	15FT	10	10FT	20	20FT	<p>Finish</p> <p>BLANK Standard Gloss White</p> <p>C5 Matte Black</p> <p>CUSTOM* Custom Colour Choice</p> <p>Dimming</p> <p>B11 0-10V Dimming Leads</p> <p>B12 Line Voltage Dimming</p> <p>B27 Dim-to-off Driver</p> <p>B** Other Options Available</p> <p>Wireless Controls</p> <p>WCAWN Lutron Athena (Node)</p> <p>WCAWNS Lutron Athena (Sensor)</p> <p>WC10 Encelium</p> <p>WC18 NX Wireless</p> <p>WC19 Avi-on</p> <p>WC22 JDRF Autonomy</p> <p>WC31 Keilton</p> <p>WCxx Other Options Available*</p> <p>Emergency Driver</p> <p>B17 UL924 6W Battery Back-up</p> <p>B24 UL924 10W Battery Back-up</p> <p>B38 UL924 15W Battery Backup</p> <p>F8 UL924 Emergency Relay</p>	<p>Packaging</p> <p>BLANK Individually Boxed on Pallets</p> <p>P0 Bulk Packaging</p> <p>P** Other Options Available</p> <p>Mounting</p> <p>M1 V-Hangers</p> <p>M2xx V-Hanger with Aircraft Loop Cables</p> <p>M3xx Y-Toggle Aircraft Cables</p> <p>M24 Single Pendant Mount(3/4 Hub)</p> <p>M** Other Options Available</p> <table border="1"> <thead> <tr> <th>Key.</th> <th>Aircraft Length.</th> <th>Key</th> <th>Aircraft Length</th> </tr> </thead> <tbody> <tr> <td>5</td> <td>5FT</td> <td>15</td> <td>15FT</td> </tr> <tr> <td>10</td> <td>10FT</td> <td>20</td> <td>20FT</td> </tr> </tbody> </table> <p>Ex. M305 would be Y-Toggle, 5FT</p> <p>Modular Wiring</p> <p>W27XYZC Modular Power Cable</p> <p>W22XY Molex Row Mounting Wiring</p> <p>Warranty</p> <p>CL7 10-Year Comprehensive Warranty Upgrade</p>	Key.	Aircraft Length.	Key	Aircraft Length	5	5FT	15	15FT	10	10FT	20	20FT
Key.	Cord Length.	Key	Cord Length																							
6	6FT	15	15FT																							
10	10FT	20	20FT																							
Key.	Aircraft Length.	Key	Aircraft Length																							
5	5FT	15	15FT																							
10	10FT	20	20FT																							

The Iroquois Series

BLSPTI - True Length Linear Strip

Linear Strip Lighting by




Documentation and Resources

All files and resources are available on our website for download. Files and resources are also embedded as links in this document, listed below.

Additional files may be available upon request.





Please contact your local sales agent [here](#) or contact sales@bjtake.com for more information.

 [BLSPTI - Installation Instructions](#)

 [BLSPTI - Photometry.zip](#)

Certifications and Listings

Certifications that apply to this fixture and its possible configurations are listed here. More information available upon request.

Icon	Description
	Wireless Controls Available
	90 and 95+ CRI Options Available
	120-347V(UN3) Available
	ETL Listed

Usage Applications

This fixture can be used in a variety of applications, and is ideal for the following:

Usage Application
Manufacturing Facilities
Storage
Offices
Schools
Retail Stores
Distribution Facilities
Processing Plants
Aisle Lighting

Warranty Statement

BJ Take products are tested and/or inspected prior to being packaged for shipment and are guaranteed from the day the product is shipped for a period of ten-year LED chip warranty and a five-year comprehensive component warranty. This can be upgraded to a ten-year comprehensive warranty on request.

Wattage Information

Below are the available wattage tables for the BLSPTI. More information is available upon request.

BLSPTI 1' & 2' Wattage

Size	Lumen Output	Actual Lumen Output	Fixture Wattage	Lumens per Watt
1'	1.125	1125	8.0	140.625
1'	1.375	1375	9.8	140.310
2'	1.750	1750	12.5	140.000
2'	2.250	2250	16.1	139.750
2'	2.750	2750	19.6	140.300

BLSPTI 4' Wattage

Size	Lumen Output	Actual Lumen Output	Fixture Wattage	Lumens per Watt
4'	2.5	2565	17.2	149.1
4'	3.5	3631	24.7	147.0
4'	4.5	4670	32.2	145.0
4'	5.5	5683	39.6	143.5
4'	6.5	6669	47.1	141.6
4'	7.5	7628	54.5	140.0
4'	8.5	8561	62.0	138.1
4'	9.5	9467	69.5	136.2
4'	10.5	10347	76.9	134.6
4'	11.5	11203	84.4	132.7

BLSPTI 8' Wattage

Size	Lumen Output	Actual Lumen Output	Fixture Wattage	Lumens per Watt
8'	5.0	5252	35.3	148.8
8'	7.0	7361	50.1	146.9
8'	9.0	9420	64.9	145.1
8'	11.0	11424	79.6	143.5
8'	13.0	13375	94.4	141.7
8'	15.0	15273	109.2	139.9
8'	17.0	17119	124.0	138.1
8'	19.0	18908	138.7	136.3
8'	21.0	20642	153.5	134.5
8'	23.0	22352	168.2	132.8

BLSPTI Light Loss Factor (LLF)

CCT	Output%
2700K	92.95
3000K	95.51
3500K	96.80
4000K	100.00
5000K	101.28
90CRI	84.72

* Actual lumen output may vary

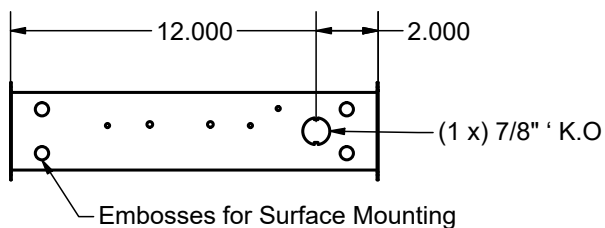
The Iroquois Series

BLSPTI - True Length Linear Strip

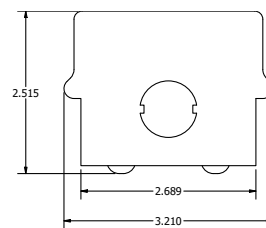
Dimension Information

Below you will find the dimensions for all sizes of the BLSPTI.

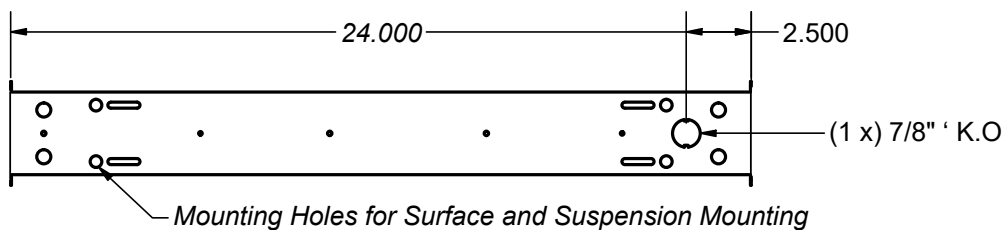
BLSPTI 1' Side



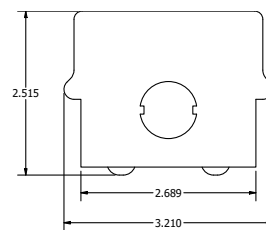
End Dimensions



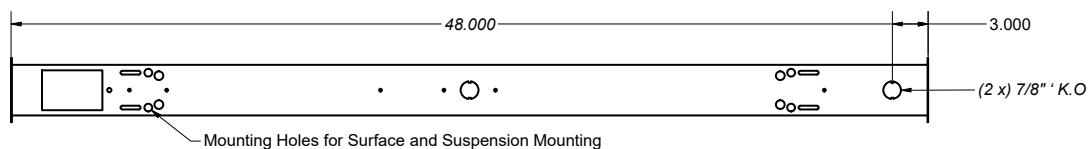
BLSPTI 2' Side



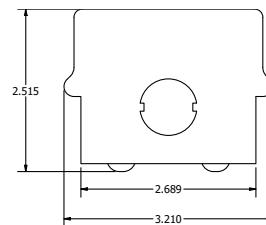
End Dimensions



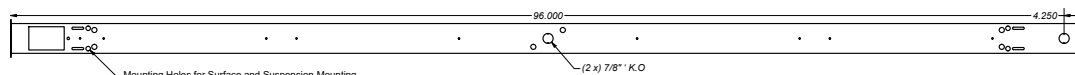
BLSPTI 4' Side



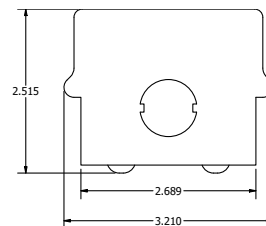
End Dimensions



BLSPTI 8' Side

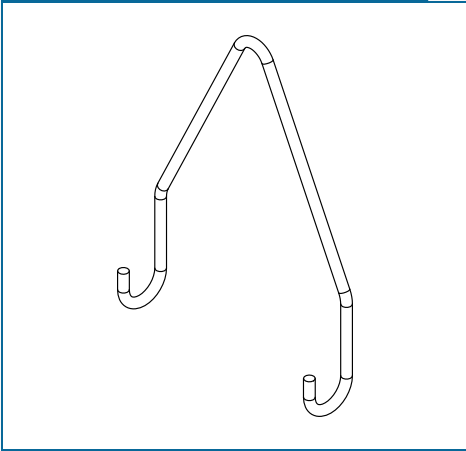


End Dimensions

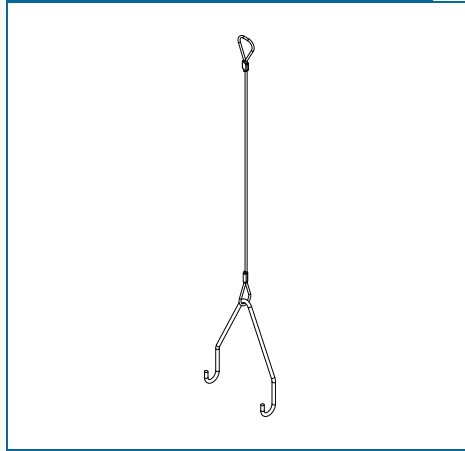


* Drawings not to scale
* Standard tolerances apply
* Specifications may change without notice

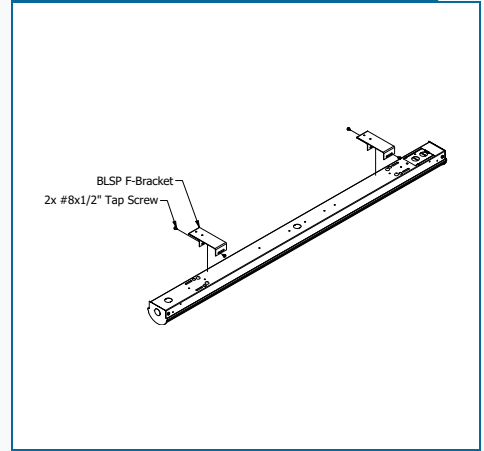
M1 - V-Hanger



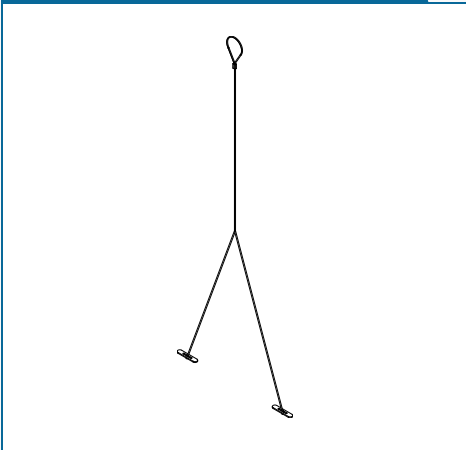
M2xx - V-Hanger + Aircraft Loop



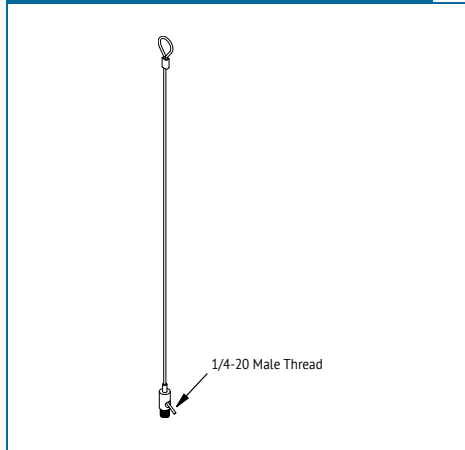
M64 - F-Style Bracket



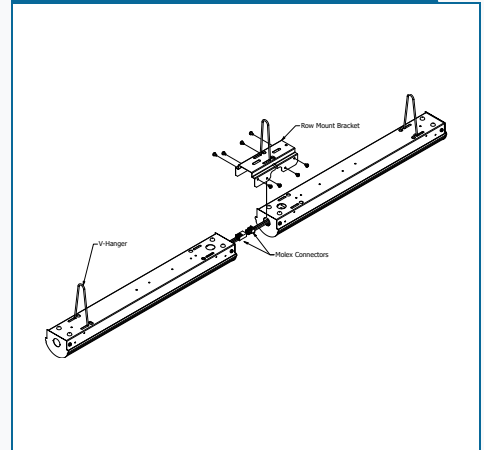
M3xx - Y-Toggle Aircraft Cables



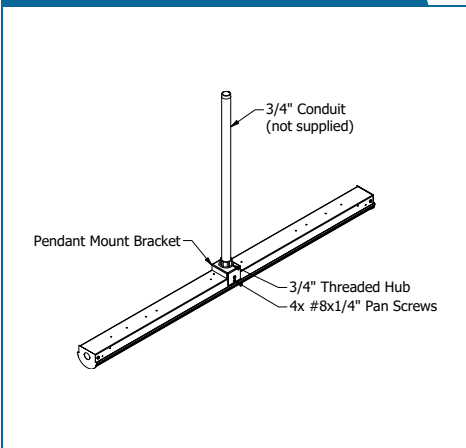
M62xx - Loop Kit + Side Grippers



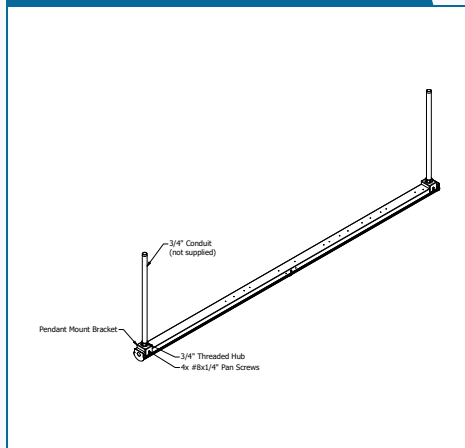
(Row) - Row Mount



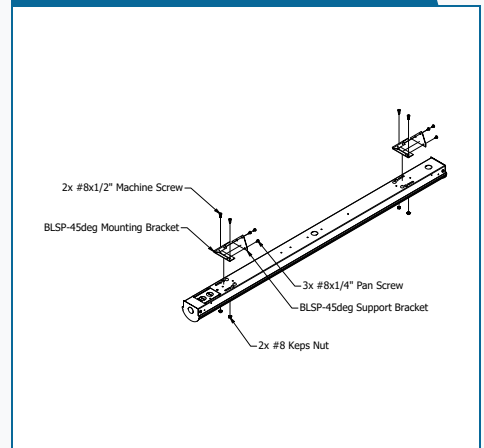
M24 - 4 Foot Pendant Mount



M24 - 8 Foot Pendant Mount



M34 - 45° Bracket



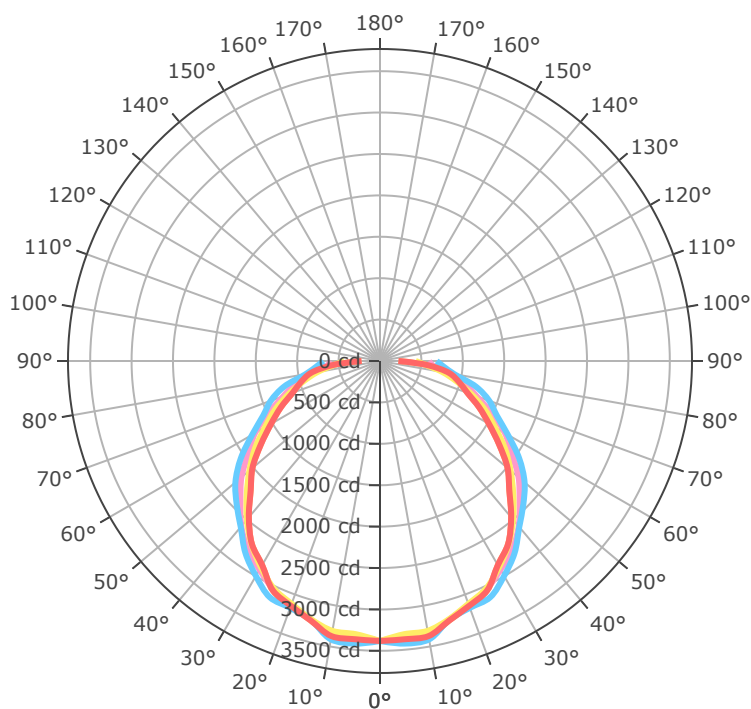
The Iroquois Series

BLSPTI - True Length Linear Strip

Linear Strip Lighting by



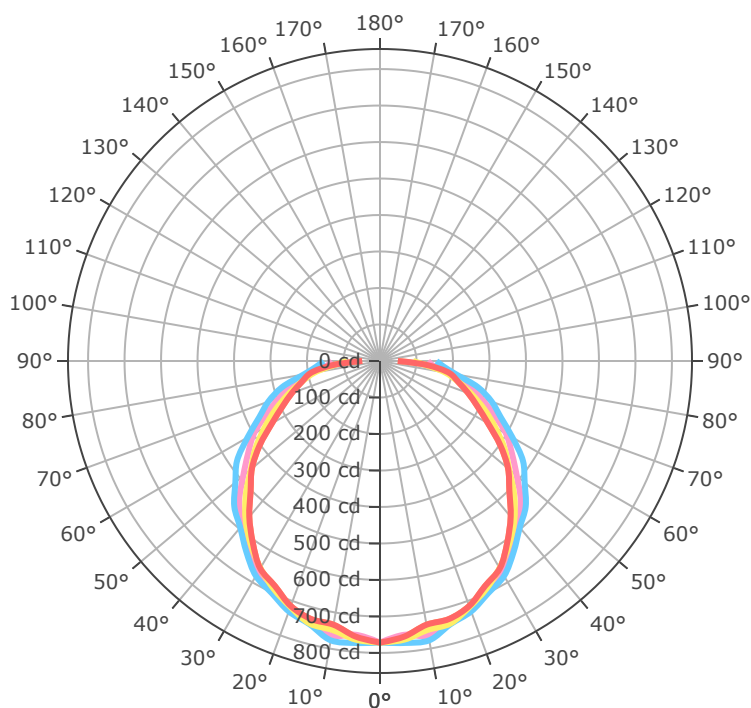
BLSPT-4FT-11.5L-840-L18



- 0.0°
- 45.0°
- 90.0°
- 135.0°
- 180.0°

Mtg Height	Light Level	Beam Diameter
6.0 ft	93.9 fc	18.1 ft
8.0 ft	52.8 fc	24.1 ft
10.0 ft	33.8 fc	30.1 ft
12.0 ft	23.5 fc	36.1 ft
14.0 ft	17.3 fc	42.1 ft
16.0 ft	13.2 fc	48.1 ft
24.0 ft	5.9 fc	72.2 ft
32.0 ft	3.3 fc	96.3 ft
40.0 ft	2.1 fc	120.4 ft
48.0 ft	1.5 fc	144.4 ft
56.0 ft	1.1 fc	168.5 ft
64.0 ft	0.8 fc	192.6 ft

BLSPT-4FT-2.5L-840-L18



- 0.0°
- 45.0°
- 90.0°
- 135.0°
- 180.0°

Mtg Height	Light Level	Beam Diameter
6.0 ft	21.4 fc	18.0 ft
8.0 ft	12.1 fc	24.1 ft
10.0 ft	7.7 fc	30.1 ft
12.0 ft	5.4 fc	36.1 ft
14.0 ft	3.9 fc	42.1 ft
16.0 ft	3.0 fc	48.1 ft
24.0 ft	1.3 fc	72.2 ft
32.0 ft	0.8 fc	96.3 ft
40.0 ft	0.5 fc	120.3 ft
48.0 ft	0.3 fc	144.4 ft
56.0 ft	0.2 fc	168.5 ft
64.0 ft	0.2 fc	192.5 ft

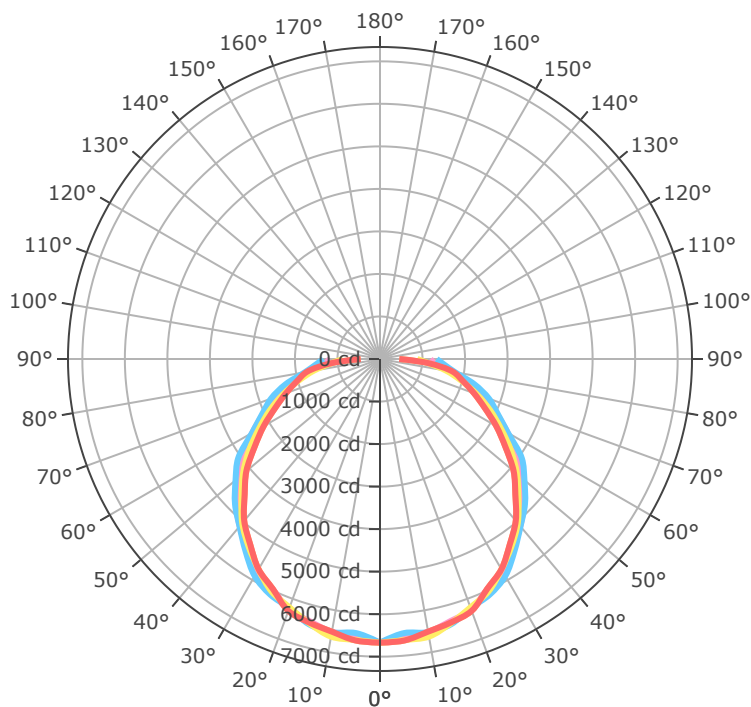
The Iroquois Series

BLSPTI - True Length Linear Strip

Linear Strip Lighting by



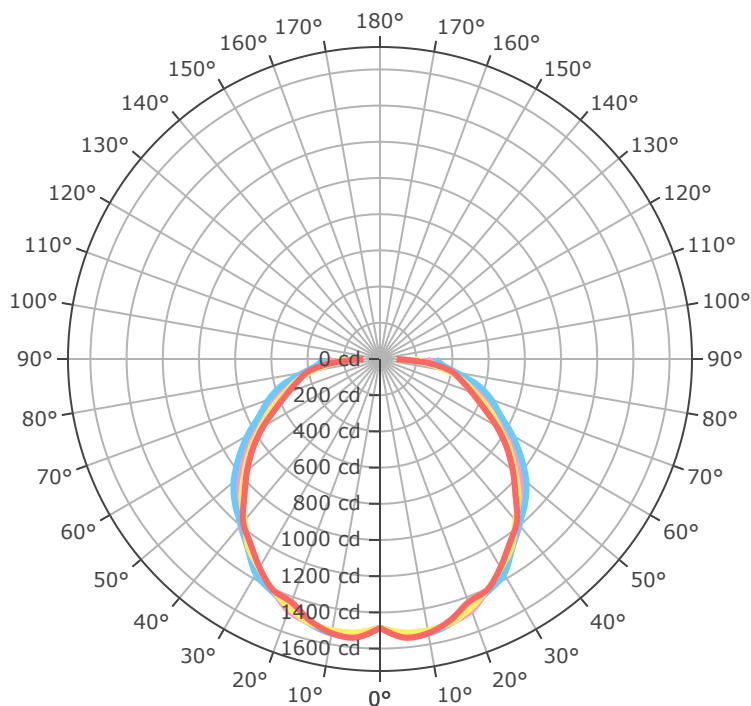
BLSPT-8FT-23L-840-L18



- 0.0°
- 45.0°
- 90.0°
- 135.0°
- 180.0°

Mtg Height	Light Level	Beam Diameter
6.0 ft	185.3 fc	19.2 ft
8.0 ft	104.2 fc	25.6 ft
10.0 ft	66.7 fc	32.0 ft
12.0 ft	46.3 fc	38.4 ft
14.0 ft	34.0 fc	44.8 ft
16.0 ft	26.1 fc	51.2 ft
24.0 ft	11.6 fc	76.8 ft
32.0 ft	6.5 fc	102.4 ft
40.0 ft	4.2 fc	128.1 ft
48.0 ft	2.9 fc	153.7 ft
56.0 ft	2.1 fc	179.3 ft
64.0 ft	1.6 fc	204.9 ft

BLSPT-8FT-5L-840-L18



- 0.0°
- 45.0°
- 90.0°
- 135.0°
- 180.0°

Mtg Height	Light Level	Beam Diameter
6.0 ft	41.3 fc	20.9 ft
8.0 ft	23.2 fc	27.8 ft
10.0 ft	14.9 fc	34.8 ft
12.0 ft	10.3 fc	41.8 ft
14.0 ft	7.6 fc	48.7 ft
16.0 ft	5.8 fc	55.7 ft
24.0 ft	2.6 fc	83.5 ft
32.0 ft	1.5 fc	111.3 ft
40.0 ft	0.9 fc	139.2 ft
48.0 ft	0.6 fc	167.0 ft
56.0 ft	0.5 fc	194.9 ft
64.0 ft	0.4 fc	222.7 ft

The Iroquois Series

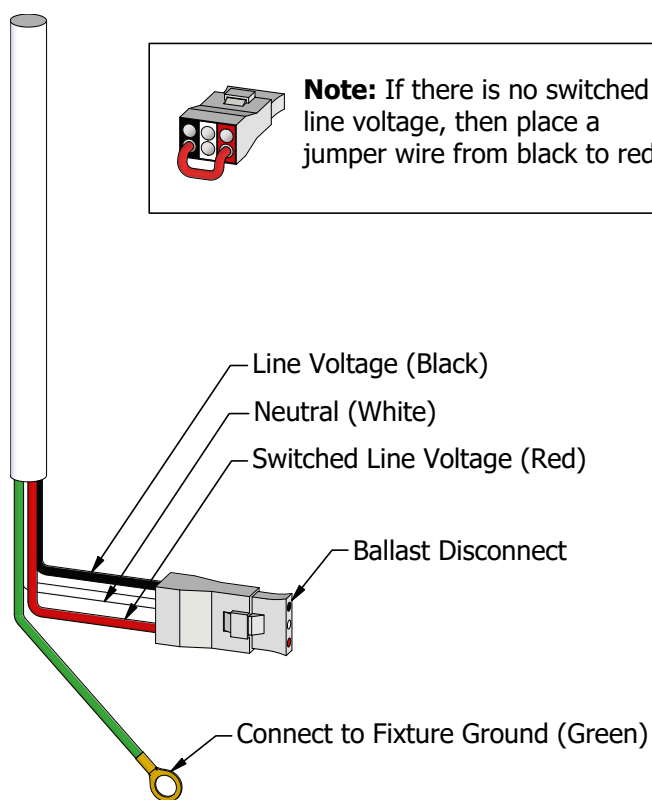
BLSPTI - True Length Linear Strip

Linear Strip Lighting by **BJTAKE**
LIGHTING

Emergency Battery Plan - 10W

Emergency Lighting	Solution System Components	System Operation
Option Code 'B17' - UL 924 listed components that are factory installed in the luminaire	UL 924 listed 10-watt battery integral to the luminaire	Loss of normal power is detected by the B17 emergency light solution and the power supply is switched automatically to the 10-watt integral battery pack which powers the emergency LED lighting driver.
	UL 924 listed LED emergency lighting driver integral to the luminaire	The battery pack and emergency LED driver are UL 924 certified to provide a minimum of 90-minutes of emergency lighting.
	Wiring options for both switched and unswitched emergency lighting	

Emergency Lighting Wiring



Important Information

More information on emergency lighting options and configurations available on request.

THRIVE™ is an **optional** natural daylight technology replacing typical CRI order codes.



THRIVE™

Human-Centric Lighting

Order Code	Option	Use-case
8	80 CRI	Energy-efficient, lower cost, acceptable colour rendering for general lighting applications.
9	90 CRI	More accurate, natural and vibrant colour appearance. Suitable for retail, offices, and applications where colour accuracy is of higher importance.
1	95+ CRI	Near-perfect colour fidelity, excellent for architectural, medical, retail, and other premium applications.
0	THRIVE	Human-centric lighting engineered to provide the most accurate recreation of natural daylight. Highly beneficial for healthcare, office environments, schools and other applications where all-day comfort and general well-being are top priorities.

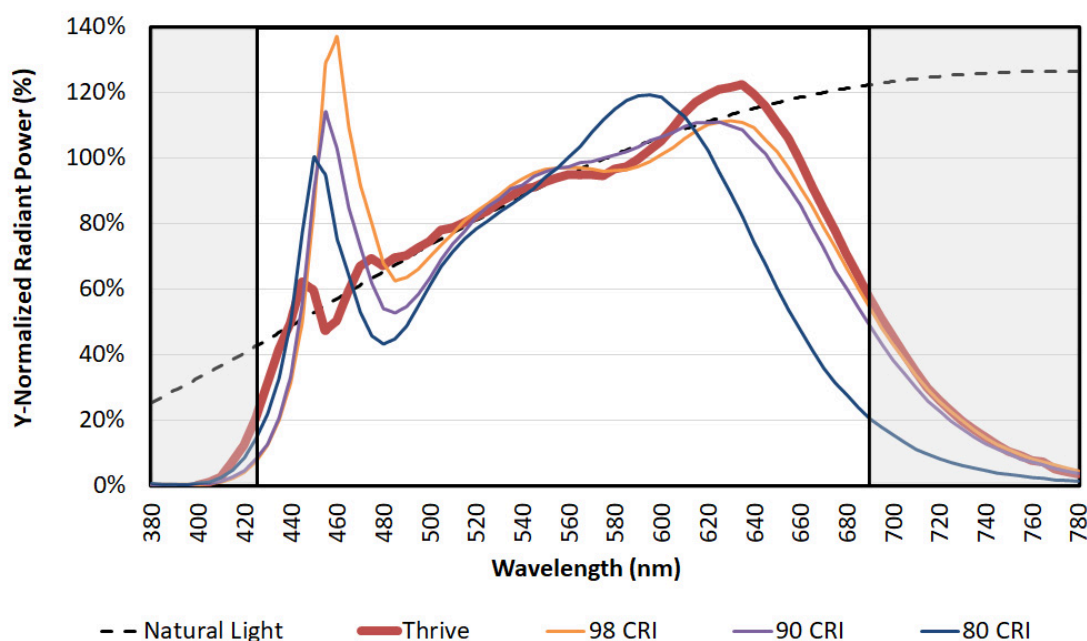
Engineered to provide the closest match to natural light available using proprietary chip, phosphor, and packaging technology, Thrive can be used in constant colour point luminaires to bring full spectrum natural light indoors, or in tunable white luminaires to incorporate circadian elements that may impact human well-being.

The high-fidelity spectral output of Thrive creates stunning environments with excellent colour rendering and outstanding TM-30 metrics. Target applications include office, education, healthcare, retail, hospitality, architectural, museums, and residential lighting.

[Bridgelux White Paper - Average Spectral Difference.pdf](#)

The effect of the THRIVE™ spectral power distributions at a CCT of 4000K (typical for interior lighting in commercial, office, and education settings) is shown in the figure below. The reference light source at this colour temperature is firelight, represented diagrammatically as the blackbody curve (BBC) and referenced in the below figure as natural light. LEDs offering a CRI of 90 or 98 have a closer match to the blackbody curve than the 80 CRI light source. Nevertheless, across the entire visual spectrum, both light sources show a substantial deviation from the natural light BBC. This is shown in the spectral spikes (deviations above the blackbody curve) and valleys (deviations below the blackbody curve).

Spectral power distributions of LED light sources at 4000K against the blackbody curve.



Gallery Information

Below you will find images of relevant products and configurations for the BLSPTI.

