

The Macklin Series

BLSPM - Mini Linear Strip

Project

Date

Part

Type



About The Macklin Series

The BLSPM is a series of linear strip fixtures designed for surface and suspended mounting, designed as a thinner variant of the Cayuga series. It is well suited for indoor use where high efficiency, row-mountable task lighting is required. Its narrow strip design and modern profile make it an ideal fixture for task lighting applications.

Specifications

Supported Voltage	120-277V, 347V, 120-347V
Available Sizes	1', 2', 4', 6', 8', 10'
Lifetime	L70 of 99,000+ hours, L90 of 30,000+ hours
Lumens	2' 1.75L (1750lm) to 8' 19L (19000lm)
Operating Temperature	-20°C/+25°C
CCT	2700K, 3000K, 3500K, 4000K, 5000K, 6500K
CRI	80+ standard, 90+ and 95+ available
Dimming	0-10V Standard
Mounting	Holes provided for V-hangers, S-hook chain-mounting, or aircraft cables. Optional pendant mount and row-mount brackets. Knockouts provided for row mounting

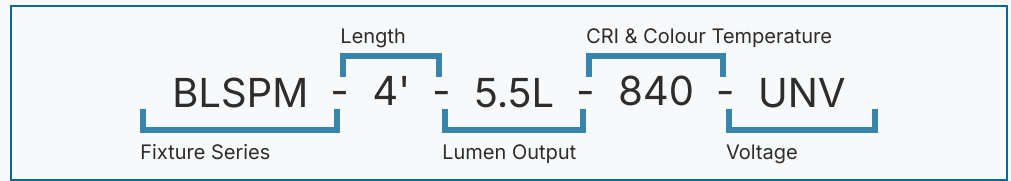
Approvals

- ETL Listed
- DLC Listed
- Dry and Damp Environment Rated
- Designed and Manufactured in Canada

The Macklin Series

BLSPM - Mini Linear Strip

Please use the diagram to the right as an example of a completed order code. If you need any assistance contact your local sales representative.



1	2	3	4	5
BLSPM				

Series	Length & Lumen Output		CRI	CCT	Voltage					
BLSPM	1' - 1.125L	1125 lm	4' - 8.5L	8500 lm	8	80	27	2700K	UNV	120-
	1' - 1.375L	1375 lm	4' - 9.5L	9500 lm	9	90+	30	3000K		277V
	1' - 1.75L	1750 lm	8' - 5L	5000 lm	1	95+	35	3500K	347	347V
	2' - 2.25L	2250 lm	8' - 7L	7000 lm	0	THRIVE	40	4000K	UN3	120-
	2' - 2.75L	2750 lm	8' - 9L	9000 lm			50	5000K		347V
	4' - 2.5L	2500 lm	8' - 11L	11000 lm			65	6500K		
	4' - 3.5L	3500 lm	8' - 13L	13000 lm						
	4' - 4.5L	4500 lm	8' - 15L	15000 lm						
	4' - 5.5L	5500 lm	8' - 17L	17000 lm						
	4' - 6.5L	6500 lm	8' - 19L	19000 lm						
	4' - 7.5L	7250 lm								

6	
---	--

Options

Lenses

L0	No Lens
L18	Impact-Resistant Frosted Lens

Cords

W3xx	White 16/3 (Specify Length)
W4xx	Black 16/3 (Specify Length)
W59xx	White 16/5 (Specify Length)
W***	Other Options Available

Key.	Cord Length.	Key	Cord Length
6	6FT	15	15FT
10	10FT	20	20FT

Ex. **W406** would be 16/3 Black, 6FT

Motion Sensors

W26	Photocell Motion Sensor
W57	Dimming Motion Sensor (dims to 50% when unoccupied)
W53*	On/Off
W8*	High/Low
WX16	Microwave Dimmable Sensor
W**	Other Options Available

Wire Guard

G1	Heavy Duty White
G5	Heavy Duty Black

Finish

BLANK	Standard Gloss White
C5	Matte Black
CUSTOM*	Custom Colour Choice

Dimming

B11	0-10V Dimming Leads
B12	Line Voltage Dimming
B27	Dim-to-off Driver
B**	Other Options Available

Wireless Controls

WCAWN	Lutron Athena (Node)
WCAWNS	Lutron Athena (Sensor)
WC10	Encelium
WC18	NX Wireless
WC19	Avi-on
WC22	JDRF Autonomy
WC31	Keilton
WCxx	Other Options Available*

Emergency Driver

B17	UL924 6W Battery Back-up
B24	UL924 10W Battery Back-up
B38	UL924 15W Battery Backup
F8	UL924 Emergency Relay

Packaging

BLANK	Individually Boxed on Pallets
P0	Bulk Packaging
P**	Other Options Available

Mounting

M1	V-Hangers
M2xx	V-Hanger with Aircraft Loop Cables
M3xx	Y-Toggle Aircraft Cables
M24	Single Pendant Mount(3/4 Hub)
M**	Other Options Available

Key.	Aircraft Length.	Key	Aircraft Length
5	5FT	15	15FT
10	10FT	20	20FT

Ex. **M305** would be Y-Toggle, 5FT

Modular Wiring

W27XYZC	Modular Power Cable
W22XY	Molex Row Mounting Wiring

Warranty

CL7	10-Year Comprehensive Warranty Upgrade
-----	--

The Macklin Series

BLSPM - Mini Linear Strip

Linear Strip Lighting by




Documentation and Resources

All files and resources are available on our website for download. Files and resources are also embedded as links in this document, listed below.

Additional files may be available upon request.






Please contact your local sales agent [here](#) or contact sales@bjtake.com for more information.

 [BLSPM Installation Instructions](#)

 [BLSPM - Photometry.zip](#)

Certifications and Listings

Certifications that apply to this fixture and its possible configurations are listed here. More information available upon request.

Icon	Description
	Wireless Controls Available
	90 and 95+ CRI Options Available
	120-347V(UN3) Available
	DLC Listed
	ETL Listed

Usage Applications

This fixture can be used in a variety of applications, and is ideal for the following:

Usage Application
Manufacturing Facilities
Storage
Offices
Schools
Retail Stores
Distribution Facilities
Processing Plants
Aisle Lighting

Warranty Statement

BJ Take products are tested and/or inspected prior to being packaged for shipment and are guaranteed from the day the product is shipped for a period of ten-year LED chip warranty and a five-year comprehensive component warranty. This can be upgraded to a ten-year comprehensive warranty on request.

The Macklin Series

BLSPM - Mini Linear Strip

Wattage Information

Below are the available wattage tables for the BLSPM. More information is available upon request.

BLSPM 1' & 2' Wattage

Size	Lumen Output	Actual Lumen Output	Fixture Wattage	Lumens per Watt
2'	1.75L	1759	12.7	138.5
2'	2.25L	2261	16.4	137.9
2'	2.75L	2764	20.0	138.2

BLSPM 4' Wattage

Size	Lumen Output	Actual Lumen Output	Fixture Wattage	Lumens per Watt
4'	2.5L	2530	17.9	141.3
4'	3.5L	3566	25.4	140.4
4'	4.5L	4588	32.9	139.5
4'	5.5L	5596	40.4	138.5
4'	6.5L	6589	47.9	137.6
4'	7.5L	7569	55.3	136.9
4'	8.5L	8535	62.8	135.9
4'	9.5L	9485	70.3	134.9

BLSPM 8' Wattage

Size	Lumen Output	Actual Lumen Output	Fixture Wattage	Lumens per Watt
8'	5.0L	5053	35.7	141.5
8'	7.0L	7122	50.7	140.5
8'	9.0L	9163	65.6	139.7
8'	11.0L	11176	80.1	139.5
8'	13.0L	13160	95.6	137.7
8'	15.0L	15117	110.5	136.8
8'	17.0L	17046	125.5	135.8
8'	19.0L	18943	140.4	134.9

BLSPM Light Loss Factor (LLF)

CCT	Output%
2700K	92.95
3000K	95.51
3500K	96.80
4000K	100.00
5000K	101.28
90CRI	84.72

* Actual lumen output may vary

The Macklin Series

BLSPM - Mini Linear Strip

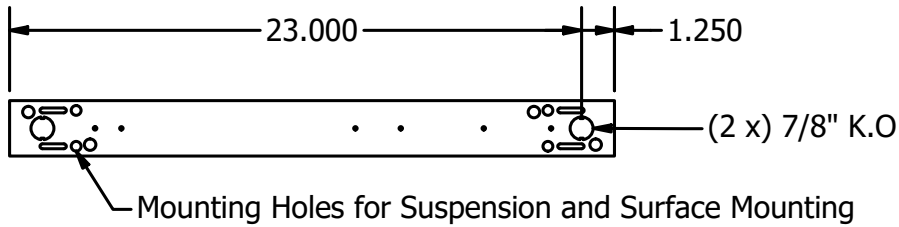
Linear Strip Lighting by



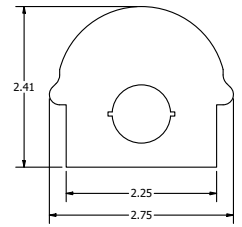
Dimension Information

Below you will find the dimensions for all sizes of the BLSPM.

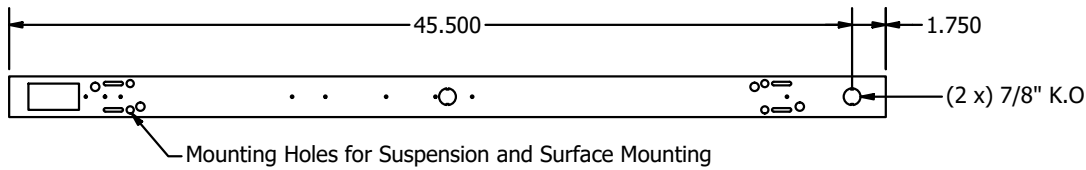
BLSPM 2' Side



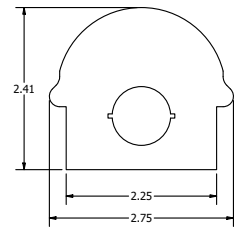
End Dimensions



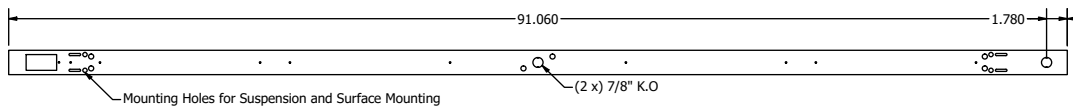
BLSPM 4' Side



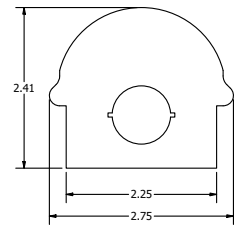
End Dimensions



BLSPM 8' Side



End Dimensions

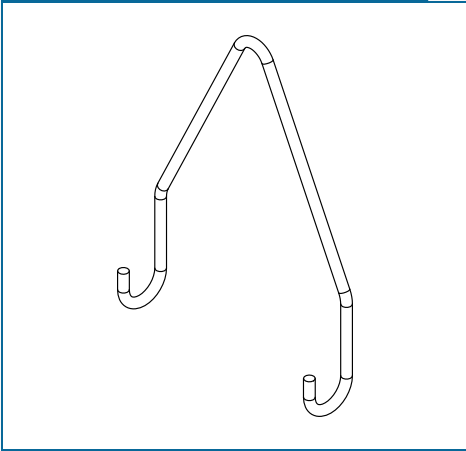


* Drawings not to scale

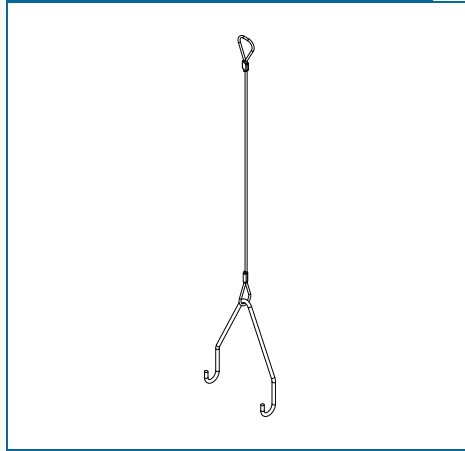
* Standard tolerances apply

* Specifications may change without notice

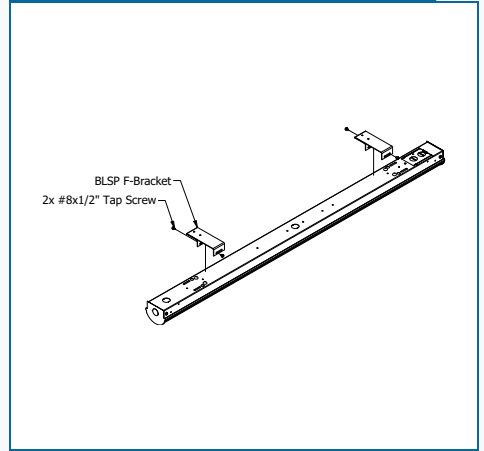
M1 - V-Hanger



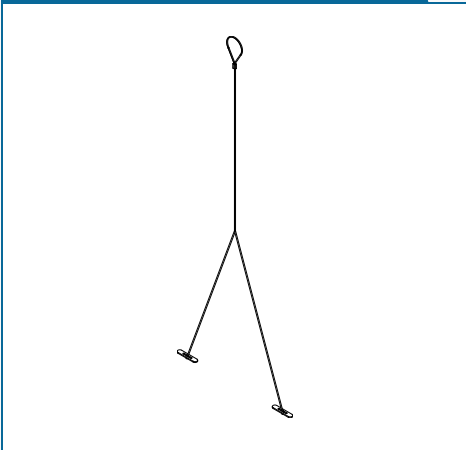
M2xx - V-Hanger + Aircraft Loop



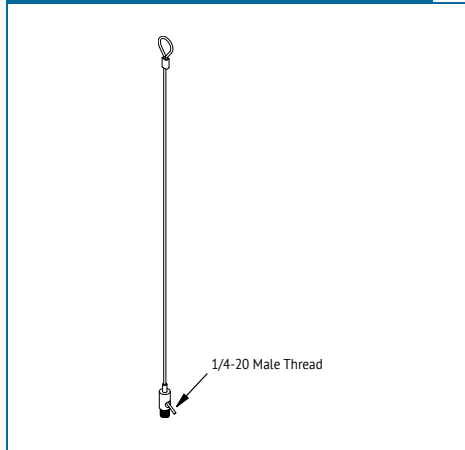
M64 - F-Style Bracket



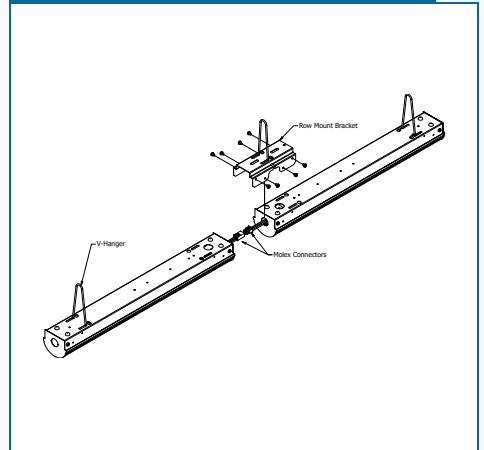
M3xx - Y-Toggle Aircraft Cables



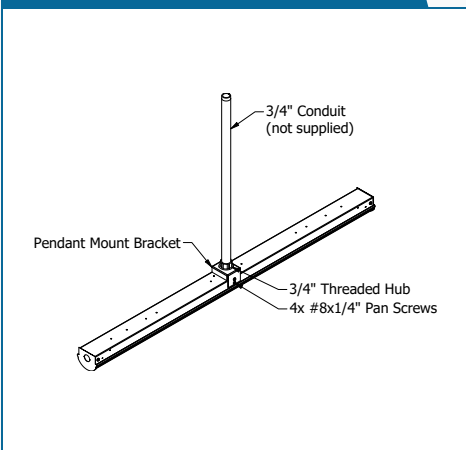
M62xx - Loop Kit + Side Grippers



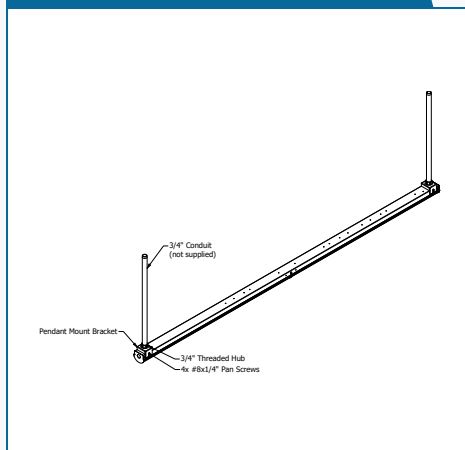
(Row) - Row Mount



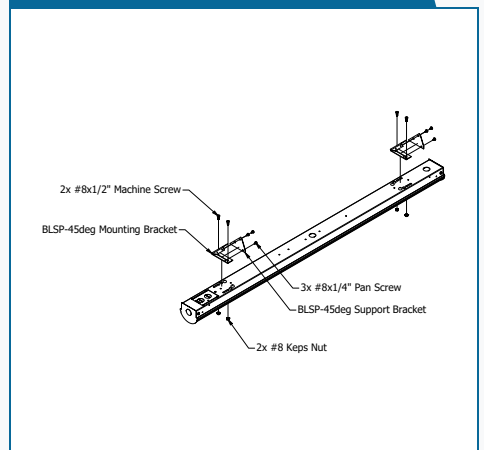
M24 - 4 Foot Pendant Mount



M24 - 8 Foot Pendant Mount



M34 - 45° Bracket



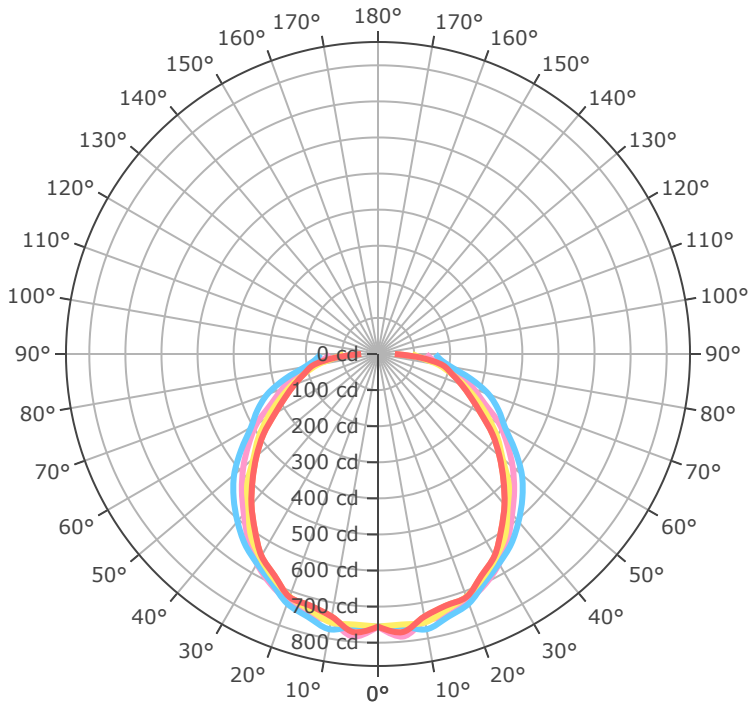
The Macklin Series

BLSPM - Mini Linear Strip

Linear Strip Lighting by



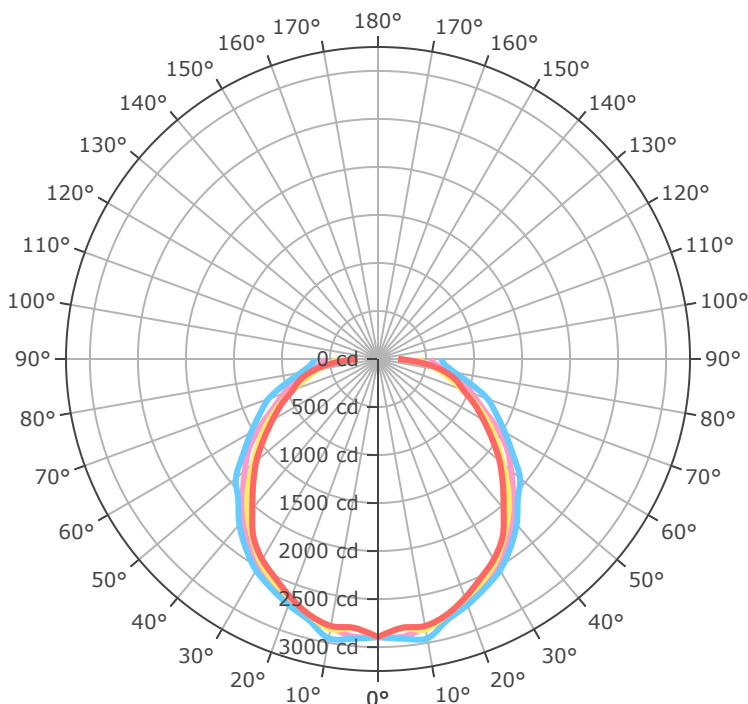
BLSPM-4'-2.5L-840-L18



- 0.0°
- 45.0°
- 90.0°
- 135.0°
- 180.0°

Mtg Height	Light Level	Beam Diameter
6.0 ft	21.0 fc	17.7 ft
8.0 ft	11.8 fc	23.6 ft
10.0 ft	7.6 fc	29.5 ft
12.0 ft	5.2 fc	35.4 ft
14.0 ft	3.9 fc	41.3 ft
16.0 ft	3.0 fc	47.2 ft
24.0 ft	1.3 fc	70.8 ft
32.0 ft	0.7 fc	94.3 ft
40.0 ft	0.5 fc	117.9 ft
48.0 ft	0.3 fc	141.5 ft
56.0 ft	0.2 fc	165.1 ft
64.0 ft	0.2 fc	188.7 ft

BLSPM-4'-9.5L-840-L18



- 0.0°
- 45.0°
- 90.0°
- 135.0°
- 180.0°

Mtg Height	Light Level	Beam Diameter
6.0 ft	80.4 fc	17.2 ft
8.0 ft	45.2 fc	23.0 ft
10.0 ft	29.0 fc	28.7 ft
12.0 ft	20.1 fc	34.4 ft
14.0 ft	14.8 fc	40.2 ft
16.0 ft	11.3 fc	45.9 ft
24.0 ft	5.0 fc	68.9 ft
32.0 ft	2.8 fc	91.8 ft
40.0 ft	1.8 fc	114.8 ft
48.0 ft	1.3 fc	137.7 ft
56.0 ft	0.9 fc	160.7 ft
64.0 ft	0.7 fc	183.6 ft

THRIVE™ is an **optional** natural daylight technology replacing typical CRI order codes.



THRIVE™ Human-Centric Lighting

Order Code	Option	Use-case
8	80 CRI	Energy-efficient, lower cost, acceptable colour rendering for general lighting applications.
9	90 CRI	More accurate, natural and vibrant colour appearance. Suitable for retail, offices, and applications where colour accuracy is of higher importance.
1	95+ CRI	Near-perfect colour fidelity, excellent for architectural, medical, retail, and other premium applications.
0	THRIVE	Human-centric lighting engineered to provide the most accurate recreation of natural daylight. Highly beneficial for healthcare, office environments, schools and other applications where all-day comfort and general well-being are top priorities.

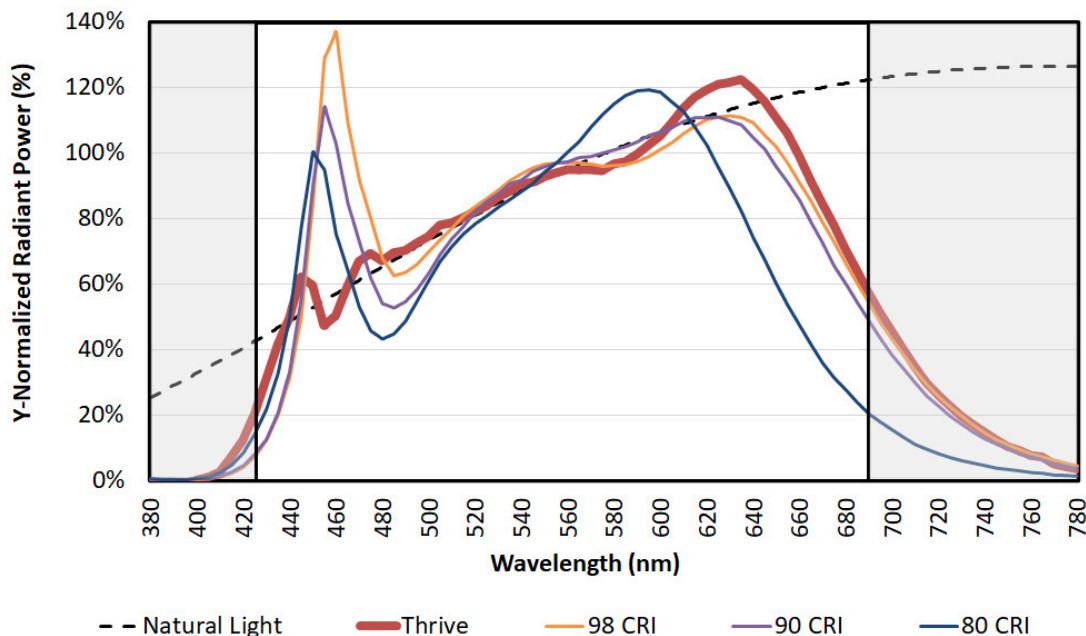
Engineered to provide the closest match to natural light available using proprietary chip, phosphor, and packaging technology, Thrive can be used in constant colour point luminaires to bring full spectrum natural light indoors, or in tunable white luminaires to incorporate circadian elements that may impact human well-being.

The high-fidelity spectral output of Thrive creates stunning environments with excellent colour rendering and outstanding TM-30 metrics. Target applications include office, education, healthcare, retail, hospitality, architectural, museums, and residential lighting.

[Bridgelux White Paper - Average Spectral Difference.pdf](#)

The effect of the THRIVE™ spectral power distributions at a CCT of 4000K (typical for interior lighting in commercial, office, and education settings) is shown in the figure below. The reference light source at this colour temperature is firelight, represented diagrammatically as the blackbody curve (BBC) and referenced in the below figure as natural light. LEDs offering a CRI of 90 or 98 have a closer match to the blackbody curve than the 80 CRI light source. Nevertheless, across the entire visual spectrum, both light sources show a substantial deviation from the natural light BBC. This is shown in the spectral spikes (deviations above the blackbody curve) and valleys (deviations below the blackbody curve).

Spectral power distributions of LED light sources at 4000K against the blackbody curve.



Gallery Information

Below you will find images of relevant products and configurations for the BLSPM.

