

# The Prescott Series

BLSP - Linear Strip

Project

Date

Part

Type



## About The Prescott Series

The BLSP is a series of LED linear strip fixtures designed for surface and suspended mounting. It is well suited for indoor use where high efficiency row-mountable task lighting is required. Its narrow strip design and modern profile make it an ideal fixture for task lighting applications.

## Specifications

Supported Voltage	120-277V, 347V, 120-347V
Available Sizes	1', 2', 3', 4', 6', 8'
Lifetime	L70 of 99,000+ hours, L90 of 30,000+ hours
Lumens	1' 1.125L (1126lm) to 8' 23L (23191lm)
Operating Temperature	-20°C/+25°C (-40°/+40°C upgrade)
CCT	2700K, 3000K, 3500K, 4000K, 5000K, 6500K
CRI	80+ standard, 90+ and 95+ available
Dimming	0-10V Standard
Mounting	Holes provided for V-hangers, S-hook chain-mounting, or aircraft cables. Optional pendant mount and row-mount brackets. Knockouts provided for row mounting

## Approvals

- ETL Listed
- DLC Listed
- Dry and Damp Environment Rated
- Designed and Manufactured in Canada

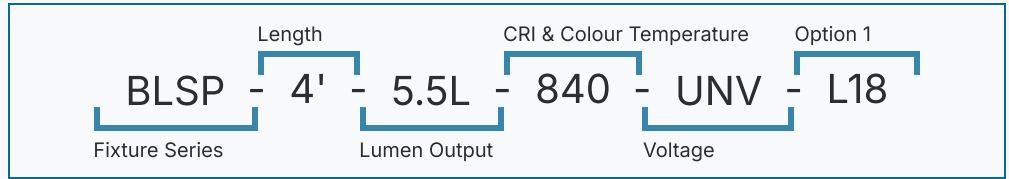
## Warranty

- 5 Year Comprehensive, 10 Year LED

# The Prescott Series

BLSP - Linear Strip

Please use the diagram to the right as an example of a completed order code. If you need any assistance contact your local sales representative.



1	2	3	4	5
BLSP				

Series	Length & Lumen Output		CRI		CCT		Voltage			
BLSP	1' - 1.125L	1126 lm	4' - 9.5L	9500 lm	8	80	27	2700K	UNV	120-
	1' - 1.375L	1377 lm	4' - 10.5L	10500 lm	9	90+	30	3000K		277V
	1' - 1.75L	1755 lm	4' - 11.5L	11500 lm	1	95+	35	3500K	347	347V
	2' - 1.75L	1750 lm	8' - 5L	5000 lm	0	THRIVE	40	4000K	UN3	120-
	2' - 2.25L	2250 lm	8' - 7L	7000 lm			50	5000K		347V
	2' - 2.75L	2750 lm	8' - 9L	9000 lm			65	6500K		
	4' - 2.5L	2500 lm	8' - 11L	11000 lm						
	4' - 3.5L	3500 lm	8' - 13L	13000 lm						
	4' - 4.5L	4500 lm	8' - 15L	15000 lm						
	4' - 5.5L	5500 lm	8' - 17L	17000 lm						
	4' - 6.5L	6500 lm	8' - 19L	19000 lm						
	4' - 7.5L	7250 lm	8' - 21L	21000 lm						
	4' - 8.5L	8500 lm	8' - 23L	23000 lm						

6
---

## Options

### Lenses

L18 | Impact-Resistant Frosted Lens

### Cords

- W3xx | White 16/3 (Specify Length)
- W4xx | Black 16/3 (Specify Length)
- W59xx | White 16/5 (Specify Length)
- W\*\*\* | Other Options Available

Key.	Cord Length.	Key	Cord Length
6	6FT	15	15FT
10	10FT	20	20FT

Ex. W406 would be 16/3 Black, 6FT

### Motion Sensors

- W26 | Photocell Motion Sensor
- W57 | Dimming Motion Sensor (dims to 50% when unoccupied)
- W53\* | On/Off
- W8\* | High/Low
- WC31B | Keilton Microwave Dimmable Sensor
- WX16 | Microwave Dimmable Sensor
- W\*\* | Other Options Available

### Wire Guard

- G1 | Heavy Duty White
- G5 | Heavy Duty Black

### Finish

- BLANK | Standard Gloss White
- C5 | Matte Black
- CUSTOM\* | Custom Colour Choice

### Dimming

- B11 | 0-10V Dimming Leads
- B12 | Line Voltage Dimming
- B27 | Dim-to-off Driver

### Wireless Controls

- WCAWN | Lutron Athena (Node)
- WCAWNS | Lutron Athena (Sensor)
- WC10 | Encelium
- WC18 | NX Wireless
- WC19 | Avi-on
- WC22 | JDRF Autonomy
- WC31 | Keilton
- WCxx | Other Options Available\*

### Emergency Driver

- B17 | UL924 6W Battery Back-up
- B24 | UL924 10W Battery Back-up
- B38 | UL924 16W Battery Backup
- F8 | UL924 Emergency Relay

Wattage	Activated Output
10W	988 lm
16W	1581 lm

\*activated output cannot exceed selected lumen package output

### Packaging

- BLANK | Individually Boxed on Pallets
- P0 | Bulk Packaging
- P\*\* | Other Options Available

### Mounting

- M1 | V-Hangers
- M2xx | V-Hanger with Aircraft Loop Cables
- M3xx | Y-Toggle Aircraft Cables
- M24 | Single Pendant Mount(3/4 Hub)
- M\*\* | Other Options Available

Key.	Aircraft Length.	Key	Aircraft Length
5	5FT	15	15FT
10	10FT	20	20FT

Ex. M305 would be Y-Toggle, 5FT

### Modular Wiring

- W27XYZC | Modular Power Cable
- W22XY | Molex Row Mounting Wiring

### Warranty

- CL7 | 10-Year Comprehensive Warranty Upgrade

# The Prescott Series

BLSP - Linear Strip

Linear Strip Lighting by




## Documentation and Resources

All files and resources are available on our website for download. Files and resources are also embedded as links in this document, listed below.

Additional files may be available upon request.






Please contact your local sales agent [here](#) or contact [sales@bjtake.com](mailto:sales@bjtake.com) for more information.

 [BLSP - Installation Instructions](#)

 [BLSP - Photometry.zip](#)

## Certifications and Listings

Certifications that apply to this fixture and its possible configurations are listed here. More information available upon request.

Icon	Description
	Wireless Controls Available
	90 and 95+ CRI Options Available
	120-347V(UN3) Available
	ETL Listed
	DLC Listed

## Usage Applications

This fixture can be used in a variety of applications, and is ideal for the following:

Usage Application
Manufacturing Facilities
Storage
Offices
Schools
Retail Stores
Distribution Facilities
Processing Plants
Aisle Lighting

## Warranty Statement

BJ Take products are tested and/or inspected prior to being packaged for shipment and are guaranteed from the day the product is shipped for a period of ten-year LED chip warranty and a five-year comprehensive component warranty. This can be upgraded to a ten-year comprehensive warranty on request.

# The Prescott Series

BLSP - Linear Strip

Linear Strip Lighting by 

## Wattage Information

Below are the available wattage tables for the BLSP. More information is available upon request.

### BLSP 4' Wattage

Size	Lumen Output	Actual Lumen Output	Fixture Wattage	Lumens per Watt
4'	2.5	2603	17.9	145.2
4'	3.5	3673	25.6	143.5
4'	4.5	4716	33.3	141.8
4'	5.5	5734	40.9	140.1
4'	6.5	6725	48.6	138.4
4'	7.5	7690	56.3	136.7
4'	8.5	8629	63.9	135.0
4'	9.5	9542	71.6	133.3
4'	10.5	10430	79.3	131.6
4'	11.5	11291	86.9	129.9

### BLSP 8' Wattage

Size	Lumen Output	Actual Lumen Output	Fixture Wattage	Lumens per Watt
8'	5	5345	35.7	149.6
8'	7	7541	51.0	147.9
8'	9	9683	66.3	146.1
8'	11	11772	81.5	144.4
8'	13	13807	96.8	142.6
8'	15	15789	112.1	140.9
8'	17	17717	127.4	139.1
8'	19	19591	142.6	137.4
8'	21	21412	157.9	135.6
8'	23	23191	173.3	133.9

### BLSP Light Loss Factor (LLF)

CCT	Output%
2700K	92.95
3000K	95.51
3500K	96.80
4000K	100.00
5000K	101.28
90CRI	84.72

\* Actual lumen output may vary

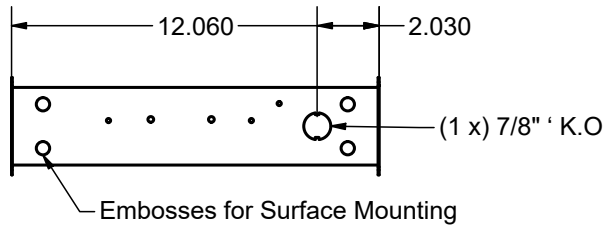
# The Prescott Series

BLSP - Linear Strip

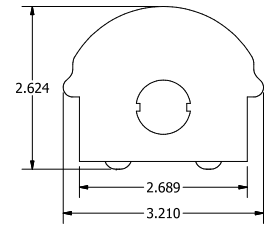
## Dimension Information

Below you will find the dimensions for all sizes of the BLSP.

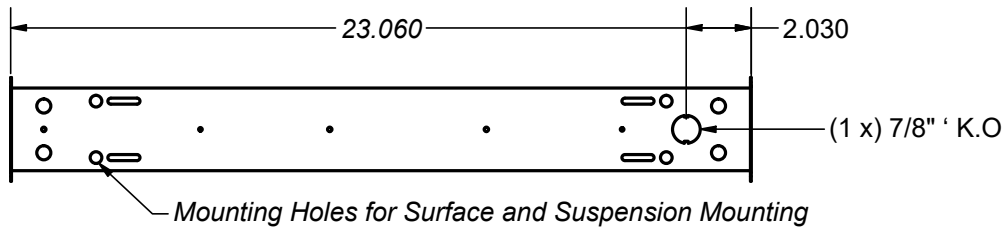
### BLSP 1' Side



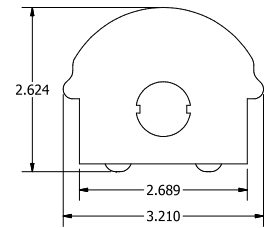
### End Dimensions



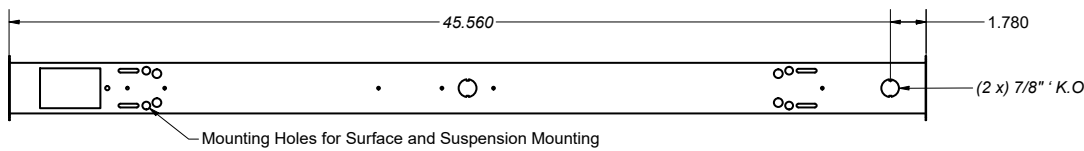
### BLSP 2' Side



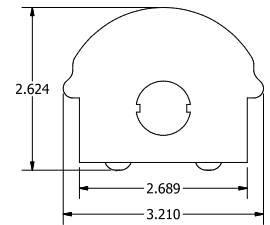
### End Dimensions



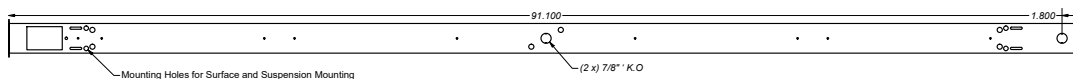
### BLSP 4' Side



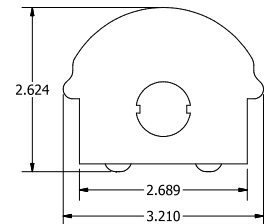
### End Dimensions



### BLSP 8' Side



### End Dimensions



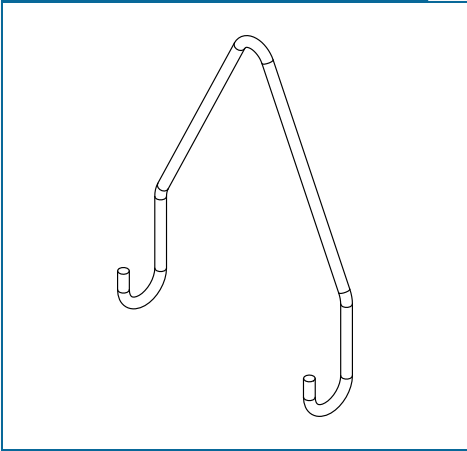
\* Drawings not to scale  
\* Standard tolerances apply  
\* Specifications may change without notice

# The Prescott Series

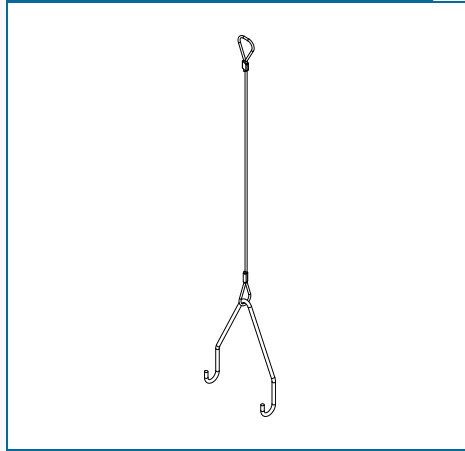
BLSP - Linear Strip

Linear Strip Lighting by **BJTAKE**  
LIGHTING

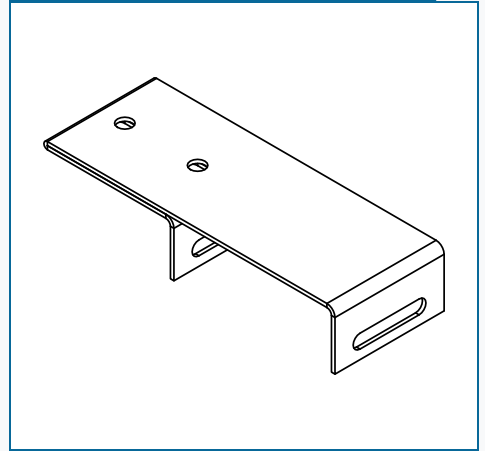
M1 - V-Hanger



M2xx - V-Hanger + Aircraft Loop



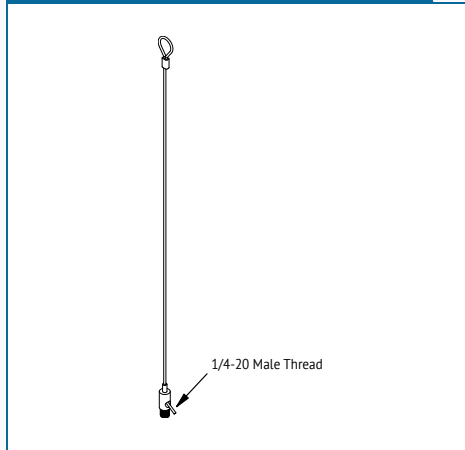
M64 - F-Style Bracket



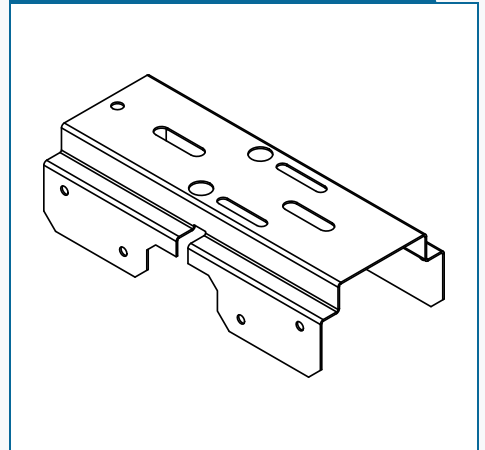
M3xx - Y-Toggle Aircraft Cables



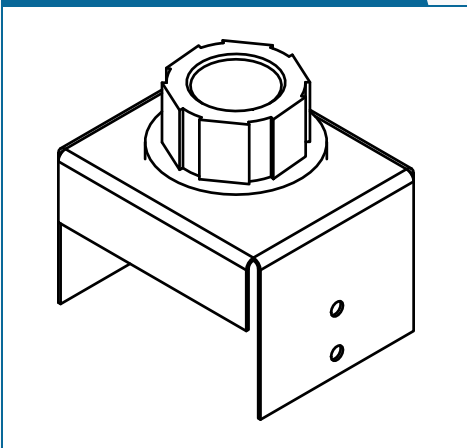
M62xx - Loop Kit + Side Grippers



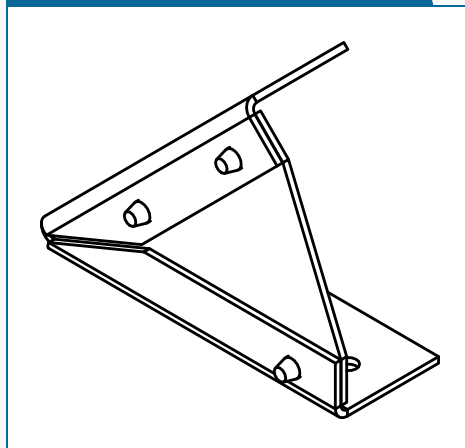
(Row) - Row Mount



M24 - 4 Foot Pendant Mount



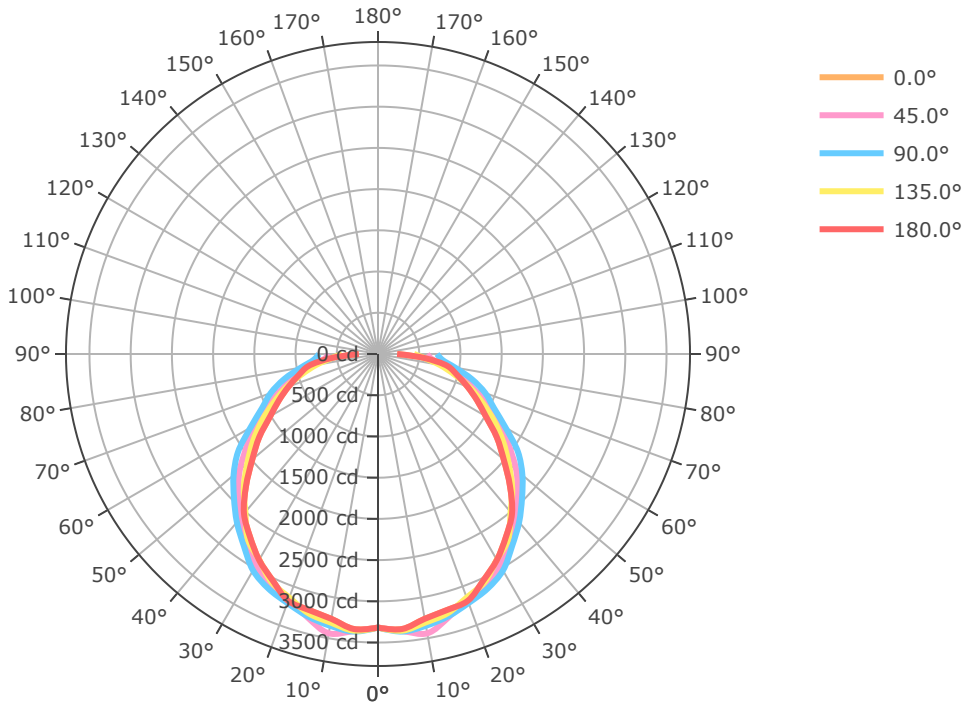
M34 - 45° Bracket



# The Prescott Series

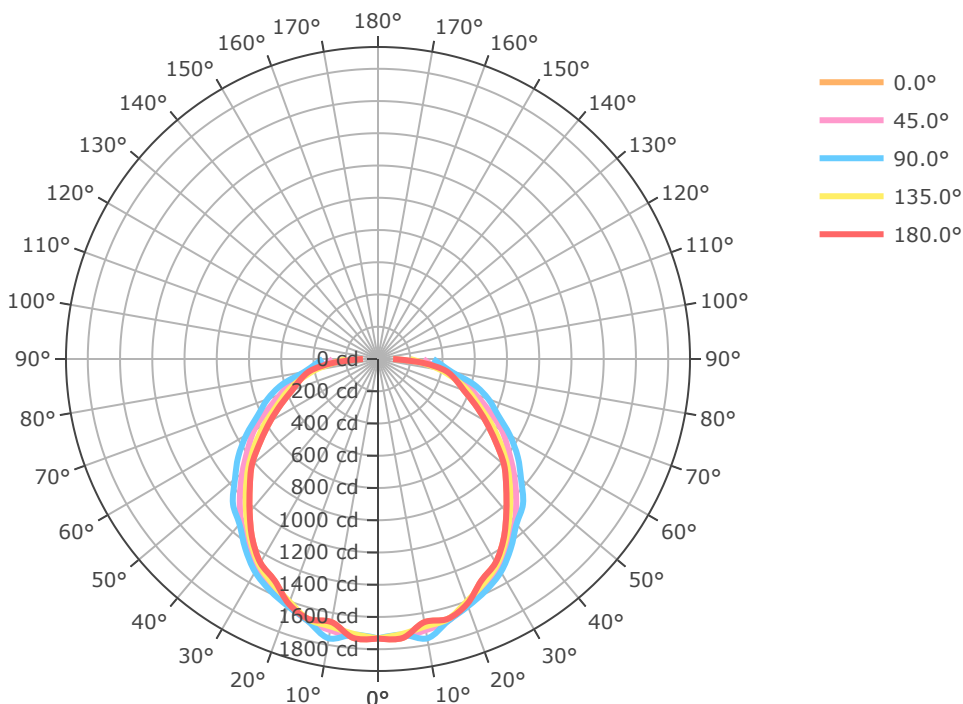
BLSP - Linear Strip

BLSP-4FT-11.5L-840-L18



Mtg Height	Light Level	Beam Diameter
6.0 ft	92.2 fc	18.5 ft
8.0 ft	51.9 fc	24.6 ft
10.0 ft	33.2 fc	30.8 ft
12.0 ft	23.0 fc	37.0 ft
14.0 ft	16.9 fc	43.1 ft
16.0 ft	13.0 fc	49.3 ft
24.0 ft	5.8 fc	73.9 ft
32.0 ft	3.2 fc	98.6 ft
40.0 ft	2.1 fc	123.2 ft
48.0 ft	1.4 fc	147.8 ft
56.0 ft	1.1 fc	172.5 ft
64.0 ft	0.8 fc	197.1 ft

BLSP-4FT-5.5L-840-L18



Mtg Height	Light Level	Beam Diameter
6.0 ft	48.1 fc	17.8 ft
8.0 ft	27.1 fc	23.7 ft
10.0 ft	17.3 fc	29.6 ft
12.0 ft	12.0 fc	35.6 ft
14.0 ft	8.8 fc	41.5 ft
16.0 ft	6.8 fc	47.4 ft
24.0 ft	3.0 fc	71.1 ft
32.0 ft	1.7 fc	94.9 ft
40.0 ft	1.1 fc	118.6 ft
48.0 ft	0.8 fc	142.3 ft
56.0 ft	0.6 fc	166.0 ft
64.0 ft	0.4 fc	189.7 ft

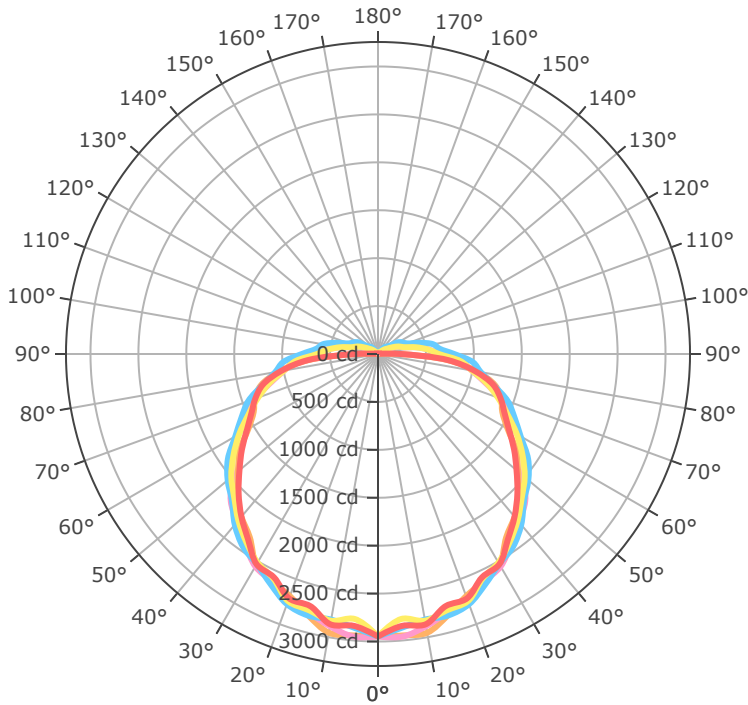
# The Prescott Series

BLSP - Linear Strip

Linear Strip Lighting by



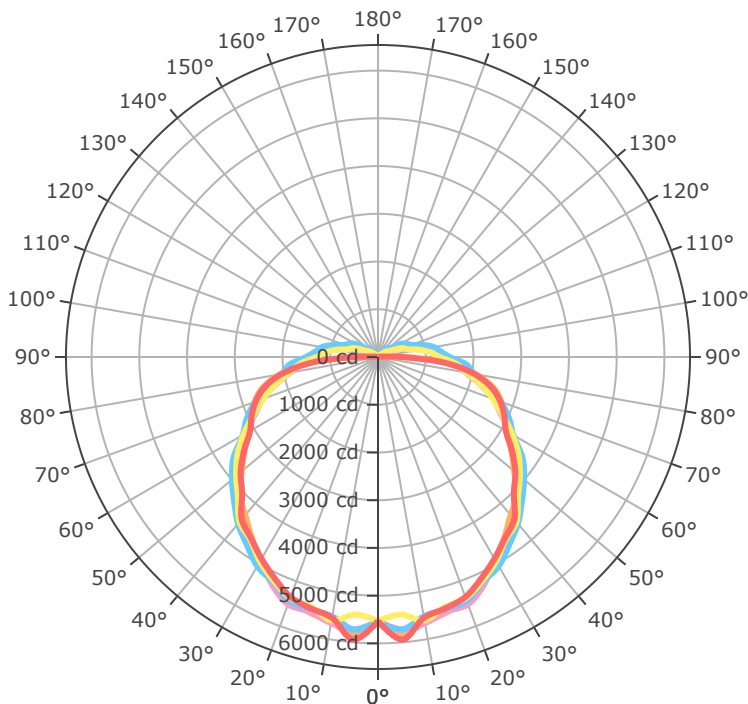
BLSP-8FT-11L-840-L18



- 0.0°
- 45.0°
- 90.0°
- 135.0°
- 180.0°

Mtg Height	Light Level	Beam Diameter
6.0 ft	81.9 fc	23.9 ft
8.0 ft	46.1 fc	31.9 ft
10.0 ft	29.5 fc	39.9 ft
12.0 ft	20.5 fc	47.9 ft
14.0 ft	15.0 fc	55.9 ft
16.0 ft	11.5 fc	63.8 ft
24.0 ft	5.1 fc	95.8 ft
32.0 ft	2.9 fc	127.7 ft
40.0 ft	1.8 fc	159.6 ft
48.0 ft	1.3 fc	191.5 ft
56.0 ft	0.9 fc	223.5 ft
64.0 ft	0.7 fc	255.4 ft

BLSP-8FT-23L-840-L18



- 0.0°
- 45.0°
- 90.0°
- 135.0°
- 180.0°

Mtg Height	Light Level	Beam Diameter
6.0 ft	153.7 fc	32.1 ft
8.0 ft	86.4 fc	42.8 ft
10.0 ft	55.3 fc	53.5 ft
12.0 ft	38.4 fc	64.1 ft
14.0 ft	28.2 fc	74.8 ft
16.0 ft	21.6 fc	85.5 ft
24.0 ft	9.6 fc	128.3 ft
32.0 ft	5.4 fc	171.0 ft
40.0 ft	3.5 fc	213.8 ft
48.0 ft	2.4 fc	256.6 ft
56.0 ft	1.8 fc	299.3 ft
64.0 ft	1.4 fc	342.1 ft

# The Prescott Series

BLSP - Linear Strip

Linear Strip Lighting by



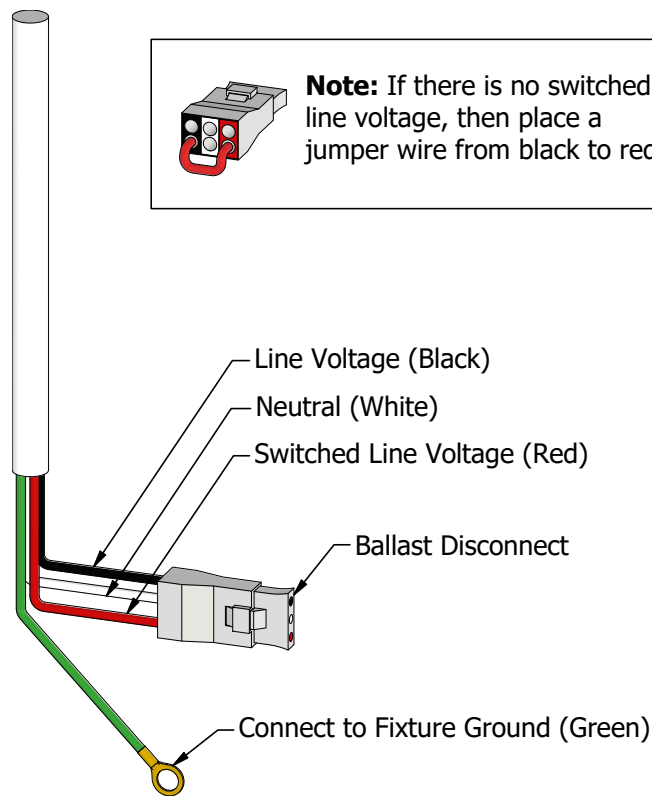
## Emergency Driver, Activated Output

Wattage	Activated Output
10W	988 lm
16W	1581 lm

## Emergency Battery Plan - 10W

Emergency Lighting	Solution System Components	System Operation
Option Code 'B17' - UL 924 listed components that are factory installed in the luminaire	UL 924 listed 10-watt battery integral to the luminaire	Loss of normal power is detected by the B17 emergency light solution and the power supply is switched automatically to the 10-watt integral battery pack which powers the emergency LED lighting driver.
	UL 924 listed LED emergency lighting driver integral to the luminaire	The battery pack and emergency LED driver are UL 924 certified to provide a minimum of 90-minutes of emergency lighting.
	Wiring options for both switched and unswitched emergency lighting	

## Emergency Lighting Wiring



## Important Information

More information on emergency lighting options and configurations available on request.

THRIVE™ is an **optional** natural daylight technology replacing typical CRI order codes.



## THRIVE™ Human-Centric Lighting

Order Code	Option	Use-case
8	80 CRI	Energy-efficient, lower cost, acceptable colour rendering for general lighting applications.
9	90 CRI	More accurate, natural and vibrant colour appearance. Suitable for retail, offices, and applications where colour accuracy is of higher importance.
1	95+ CRI	Near-perfect colour fidelity, excellent for architectural, medical, retail, and other premium applications.
0	THRIVE	Human-centric lighting engineered to provide the most accurate recreation of natural daylight. Highly beneficial for healthcare, office environments, schools and other applications where all-day comfort and general well-being are top priorities.

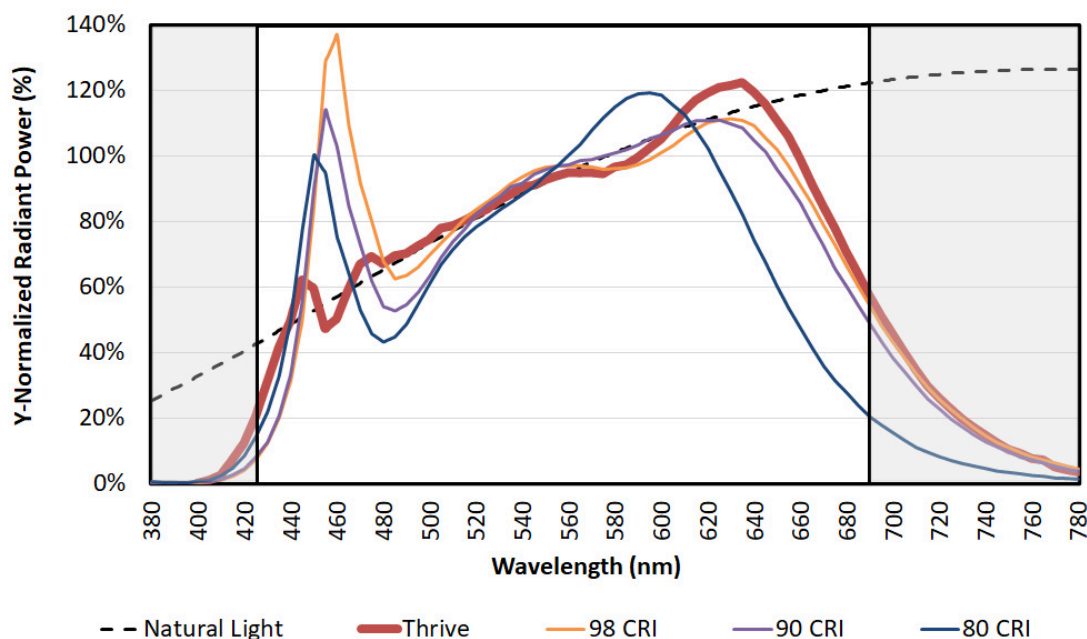
Engineered to provide the closest match to natural light available using proprietary chip, phosphor, and packaging technology, Thrive can be used in constant colour point luminaires to bring full spectrum natural light indoors, or in tunable white luminaires to incorporate circadian elements that may impact human well-being.

The high-fidelity spectral output of Thrive creates stunning environments with excellent colour rendering and outstanding TM-30 metrics. Target applications include office, education, healthcare, retail, hospitality, architectural, museums, and residential lighting.

 [Bridgelux White Paper - Average Spectral Difference.pdf](#)

The effect of the THRIVE™ spectral power distributions at a CCT of 4000K (typical for interior lighting in commercial, office, and education settings) is shown in the figure below. The reference light source at this colour temperature is firelight, represented diagrammatically as the blackbody curve (BBC) and referenced in the below figure as natural light. LEDs offering a CRI of 90 or 98 have a closer match to the blackbody curve than the 80 CRI light source. Nevertheless, across the entire visual spectrum, both light sources show a substantial deviation from the natural light BBC. This is shown in the spectral spikes (deviations above the blackbody curve) and valleys (deviations below the blackbody curve).

Spectral power distributions of LED light sources at 4000K against the blackbody curve.



## Gallery Information

Below you will find images of relevant products and configurations for the BLSP.

